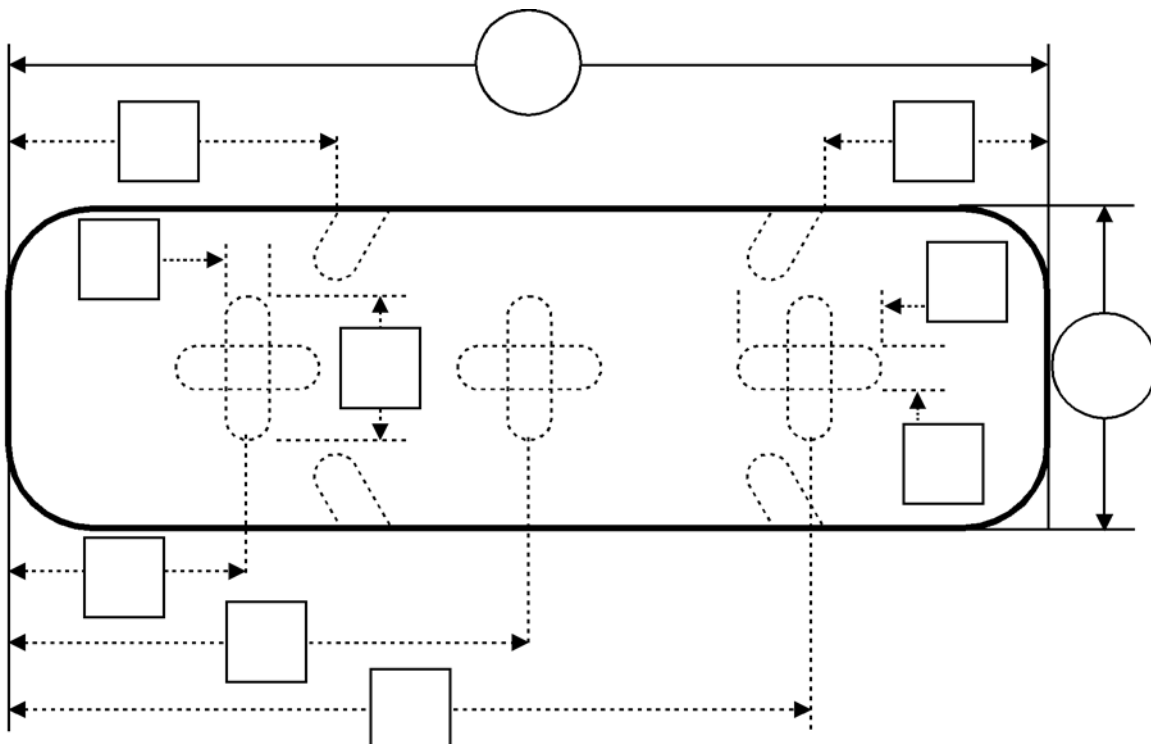


Custom Transfer Board Order Form

Date: _____ PO #: _____

Contact Person: _____ Contact Phone: _____

Account #: _____ Mark For: _____



Dimensions in the circles are required. Dimensions in the squares are optional.

Transfer Board Material (Select One)

- Theraslide - 7-ply birch wood base with 3 additional plies laminated on top.
Walnut stained, clear sealed. 1/2" thick in the center, 1/4" thick at either end.
- Superslide - 3/8" thick 7-ply birch with clear melamine surface
- Econoglide - 1/2" thick high density linear plastic
 - WHITE plastic BLACK plastic
- Bariatric - 9-ply birch wood base with 3 additional plies laminated on top.
5/8" thick in the center, 7/16" thick at either end.
 - WALNUT STAINED, clear sealed NATURAL COLOR, clear sealed

Transfer Board Options

- Notches
- Hand Holes
- Non-Skid Pad
- Other _____
- _____

Other _____

Notes: _____

No Customizations for boards longer than 32".
 Standard radius dimensions used on all corners unless otherwise noted.
 All transfer boards are provided without notches, hand holes, and non-skid pad, unless specified.
 Custom fabricated transfer boards may not be returned.
 Complete accurate dimensions and specifications must be furnished with each transfer board request prior to manufacturing.