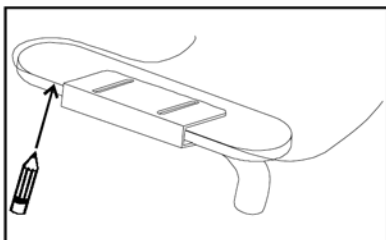


ADJUSTABLE WIDTH TRAY SLIDE BRACKET, PAIR

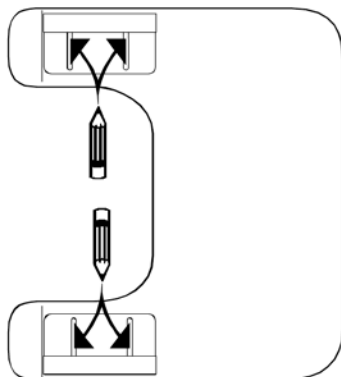
1 1/8" Tall 32798 1 1/4" Tall 32794 1 1/2" Tall 32797

MOUNTING BRACKETS TO TRAY

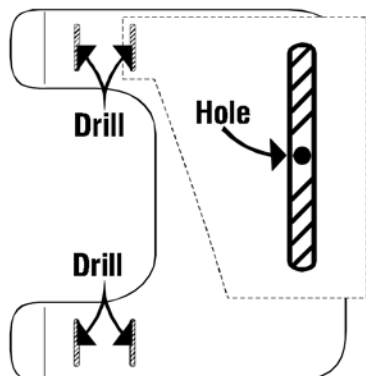
1. Rest tray atop brackets on armrests. Mark where back edges of brackets make contact with tray.



2. Remove tray and flip upside down on a flat working surface. Position brackets on tray, lining up with marks. Using brackets as a template, mark where slots in brackets make contact with tray.

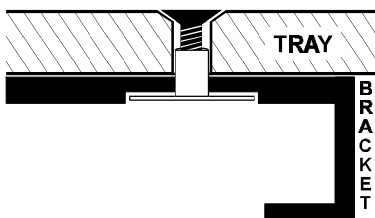


3. Remove brackets from tray, drill one hole through tray in approximate center of each marked slot area. Countersink holes.

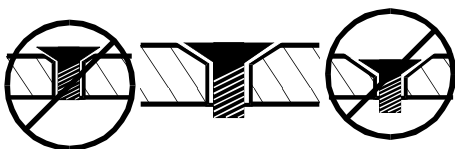


9450 W Laraway Rd • Frankfort, IL 60423
Customer 800-843-7234 • Fax 888-479-1515
www.Therafin.com • info@Therafin.com

- 4, Reposition brackets on mounting holes. Secure brackets to underside of tray. Tighten screws so they are flush with the top of tray.

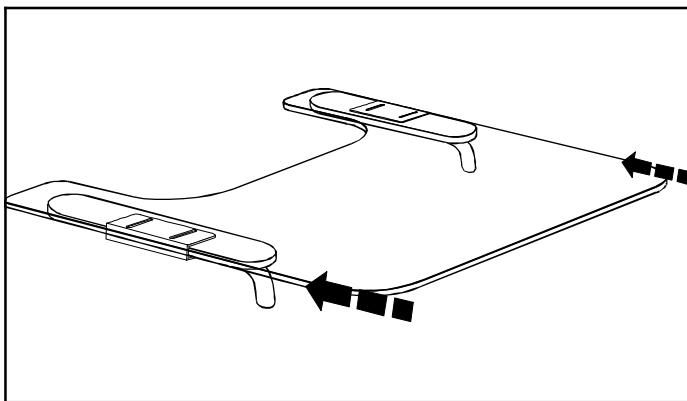


**IMPORTANT: DO NOT USE
LOCK TITE ON
POLYCARB TRAYS!**

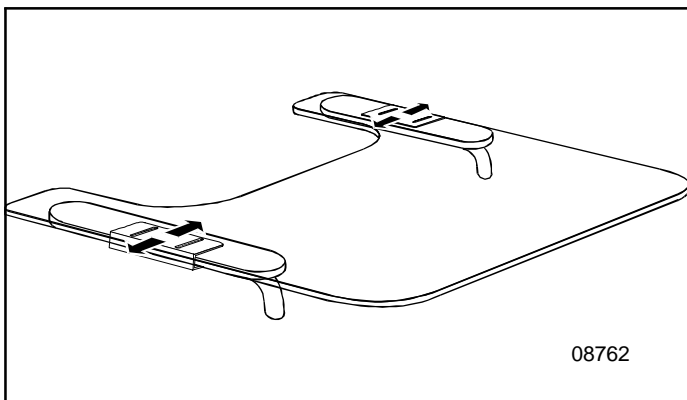


ADJUSTING BRACKETS TO ARMRESTS

1. Loosen screws that hold brackets to tray. Slide brackets to the widest position on the tray, then slide tray onto the armrests.



2. The long slots in the brackets allow for considerable adjustment. Center tray on chair, adjust brackets to fit against the edge of armrests. Tighten screws that hold brackets to tray.



08762