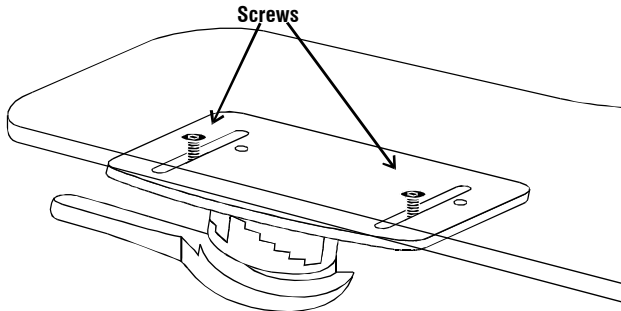
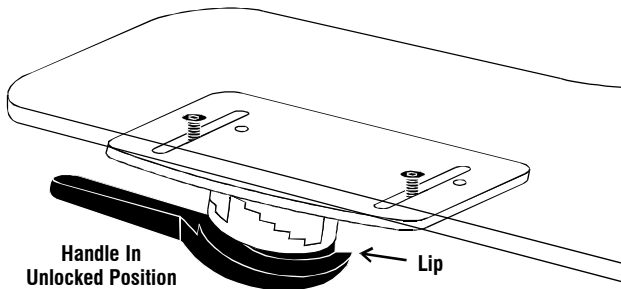
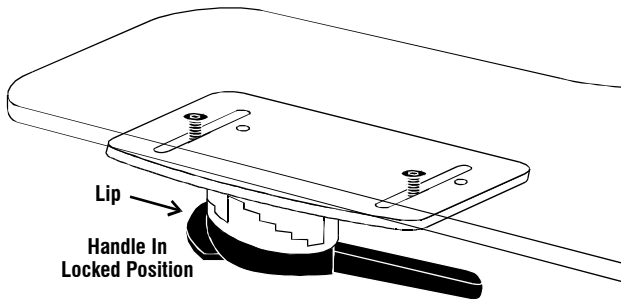


TRAY WITH TOP DROP CLAMPS

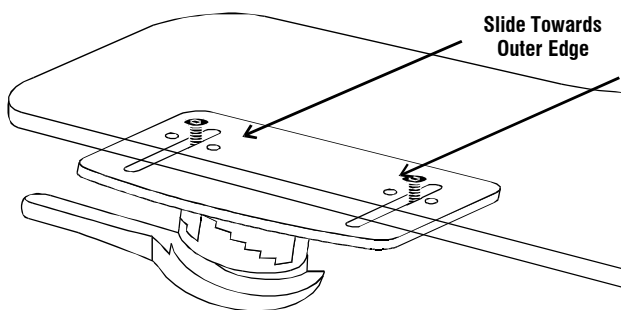
ADJUSTING THE TOP DROP CLAMPS



1. Loosen the screws that hold the Top Drop Clamps to the tray. This allows the clamps to be adjusted to the **WIDTH** of the armpads.

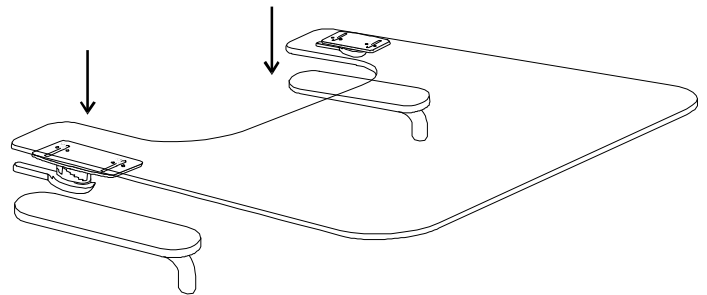


2. Rotate the clamp Handles to the **UNLOCKED** position, which puts the little lip on the handle piece towards the **OUTSIDE** of the tray. (Later, when you rotate the Handles to the locked position, this lip will fit under the armpad to hold the tray in place.)

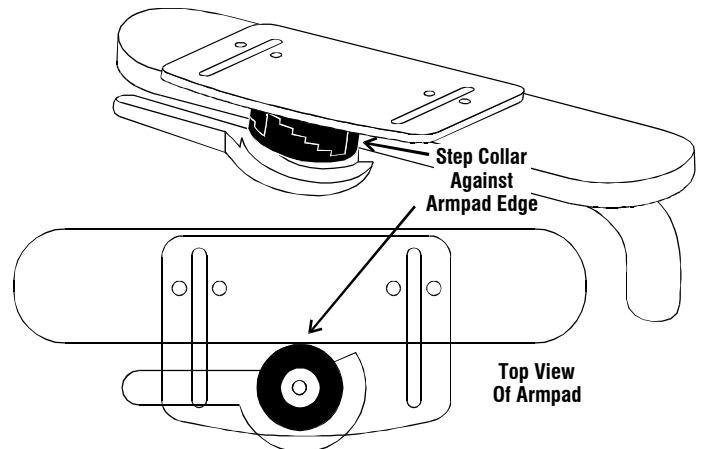


3. The long slots in the clamps allow for considerable adjustment. Slide the clamp assemblies to the widest position on the tray.

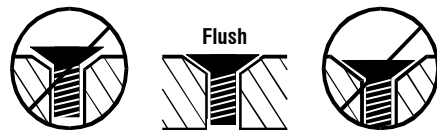
You Tube Watch Instructional Video for this product at <http://www.youtube.com/TherafinCorporation>



4. Place the tray onto the armrests **STRAIGHT DOWN FROM THE TOP**.

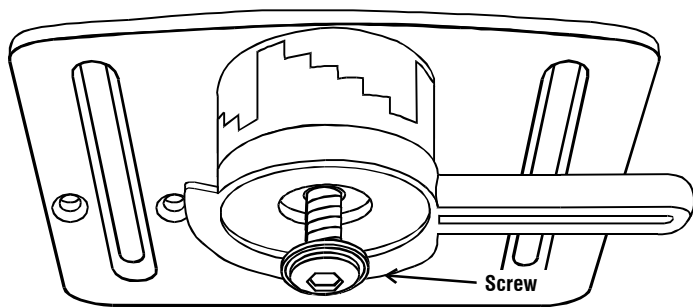


5. Center the tray on the chair, and adjust the clamp assemblies so the Step Collar (the tall round piece with little "steps") fits snug against the side of the armrest. Tighten the screws that hold the clamps to the tray, the screws you loosened in Step 1. The screws should be tightened so the tops are flush with the surface of the tray.

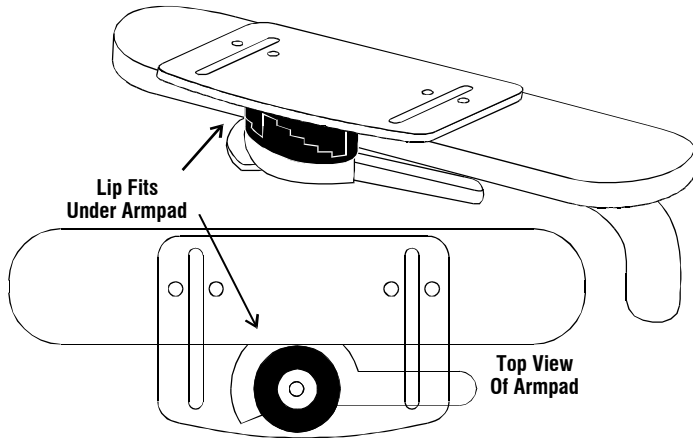


Therafin
Corporation

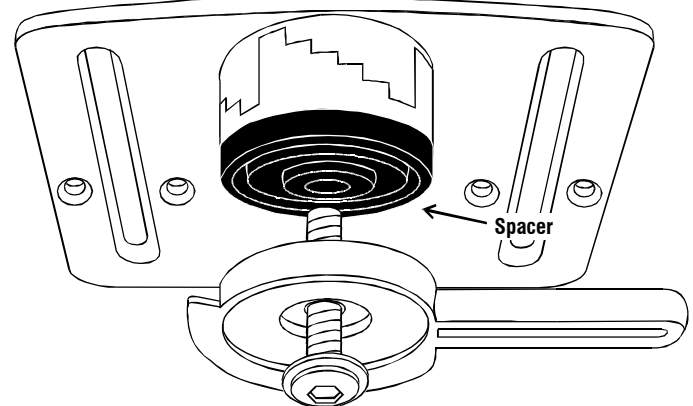
9450 W Laraway Rd • Frankfort, IL 60423
Customer 800-843-7234 • Fax 888-479-1515
www.Therafin.com • info@Therafin.com



6. Loosen the screw in each clamp that goes through the Handle, it's on the bottom of each clamp assembly. This allows the clamps to be adjusted to the **HEIGHT** of the armpads.



7. Loosen the screw so the Handle and the Step Collar hang down below the bottom edge of the armpad. Rotate the Handle into the **LOCKED** position, which puts the lip on the Handle piece under the armpad. Push up on the Handle from the bottom with one hand, and rotate the Step Collar with your other hand. Rotate the Step Collar into different positions, and find the right "step" that allows the lip on the Handle to fit snug under the edge of the armpad.



8. **NOTE:** Do not adjust Step Collar to last (fifth) step! If more adjustment is needed to fit a thicker armpad, remove the screw and place the Spacer between the Handle and Step Collar. Use the longer screw (included) to hold the pieces together.

9. Tighten the screw so all the pieces fit firmly together, and the Handle can rotate. Adjust the Top Drop Clamp on the other armpad the same way.

You Tube Watch Instructional Video for this product at <http://www.youtube.com/TherafinCorporation>

If your tray is transparent polycarbonate, please read the following:

Polycarbonate (Clear) Product Cleaning Guidelines

Polycarbonate is virtually unbreakable when it is delivered. You can compromise the physical properties if certain chemicals (see below) have the ability to permeate the structure of the plastic. For this reason, note the guidelines below for cleaning your polycarbonate product:

- ◆ **DO** rinse the product with warm water prior to cleaning
- ◆ **DON'T** use abrasives or high alkaline cleaners
- ◆ **DON'T** leave chemicals on product for long periods, wash immediately
- ◆ **DON'T** apply cleaners in direct sunlight or at elevated temperatures
- ◆ **DON'T** use scrapers, squeegees or razors
- ◆ **DON'T** clean with gasoline
- ◆ **DO** follow the application with a lukewarm water rinse
- ◆ **DO** dry with a clean soft cloth

Recommended Compatible Cleaners and Detergents:

- ◆ Formula 409¹
- ◆ Windex with Ammonia D³
- ◆ Joy²
- ◆ Palmolive⁴

Polycarbonate is **NOT** resistant to:

- ◆ Acetaldehyde, Acetic acid (conc.), Acetone, Acrylonitrile, Ammonia, Ammonium fluoride, Ammonium hydroxide, Ammonium sulfide
- ◆ Benzene, Benzoic acid, Benzyl alcohol, Brake fluid, Bromobenzene, Butylic acid
- ◆ Carbon tetrachloride, Carbon disulfide, Carbolic acid, Caustic potash solution (5%), Caustic soda solution (5%), Chloroethene, Chlorobenzene, Cutting oils, Cyclo hexanone, Cyclohexene
- ◆ Dimethyl formamide
- ◆ Ethane tetrachloride, Ethylamine, Ethyl ether, Ethylene chlorohydrin
- ◆ Formic acid (conc.), Freon (refrigerant & propellant)
- ◆ Gasoline ◆ Lacquer thinner ◆ Methyl alcohol
- ◆ Nitrobenzene, Nitrocellulose lacquer ◆ Ozone
- ◆ Phenol, Phosphorous hydroxy chloride, Phosphorus trichloride, Propionic acid ◆ Sodium sulfide, Sodium hydroxide, Sodium nitrate
- ◆ Tetrahydronaphthalene, Thiophene, Toluene, Turpentine ◆ Xylene

Polycarbonate is **DISSOLVED** by:

- ◆ Chloroform, Cresol, Dioxane, Ethylene dichloride, Methylene chloride, Pyridine

When cleaning this Polycarbonate product, a water and soap solution should be applied with a clean soft cloth. Dry with a clean soft cloth.

- ◆ Do not use Lock Tite on this Polycarbonate product

® Registered Trademarks of Clorox¹, Proctor & Gamble², Drackett Products³, Colgate Palmolive⁴