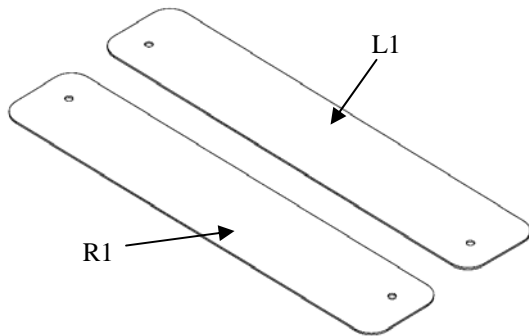


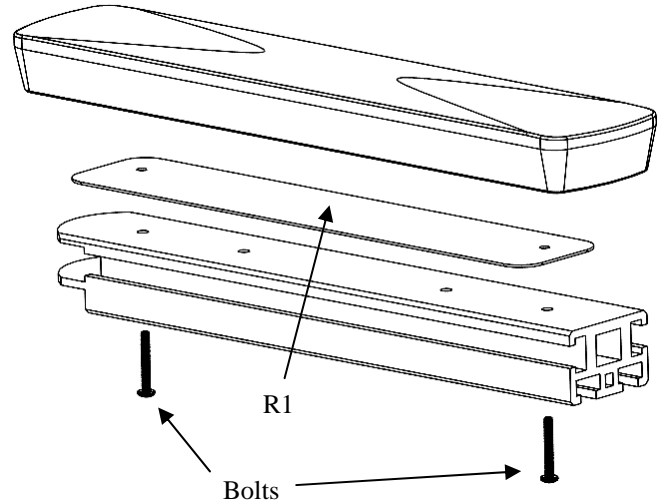
# Quantum TB3 Tray Hardware Adapter

- ⚠ Caution: Read Instructions before operating device.
- ⚠ Caution: Device should be installed by a trained wheelchair technician.
- ⚠ Caution: Use caution when installing, removing or adjusting device to avoid pinching or trapping fingers.
- ⚠ Caution: Always tighten all fasteners securely and inspect fasteners regularly for tightness.

## Product Identification



**Step 2:** Remove Pad. Place R1 under pad and reinstall bolts. Repeat for other armrest. Tighten Bolts.

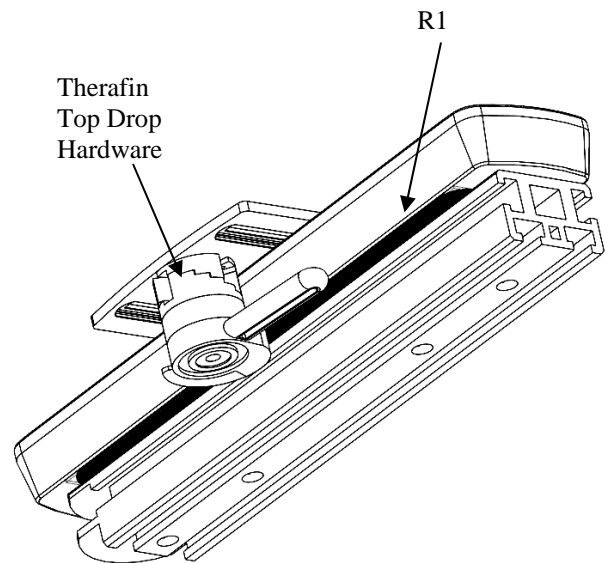
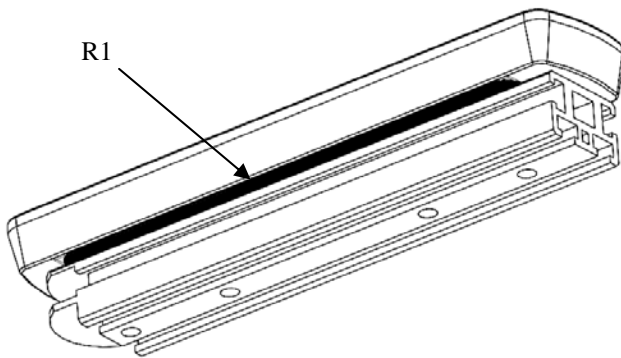


## To Operate

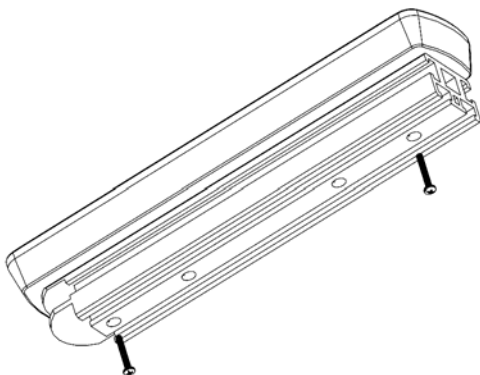
Use with Therafin Top Drop Hardware.

## Installation and Assembly

Image below shows installed device on Right armrest




**Step 1:** Remove bolts from Pride TB3 Armrest Pad.



Therafin Corporation  
9450 W Laraway Road  
Frankfort, IL 60432 USA  
800-843-7234

# Quantum TB3 Tray Hardware Adapter

## Care and Cleaning

 Caution: Always tighten all fasteners securely and inspect fasteners regularly for tightness.

1. Wipe clean with damp cloth.



2. Check all fasteners and retighten as needed.

## Warranty

Any product found to be defective due to the material or workmanship within one year will be replaced under our return policy following product evaluation by Therafin Corporation. This replacement warranty does not include misuse or neglect of the product.



 Therafin Corporation  
9450 W Laraway Road  
Frankfort, IL 60432 USA  
800-843-7234