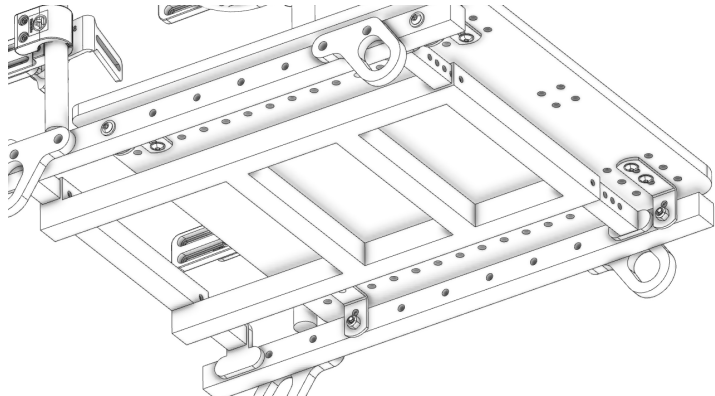


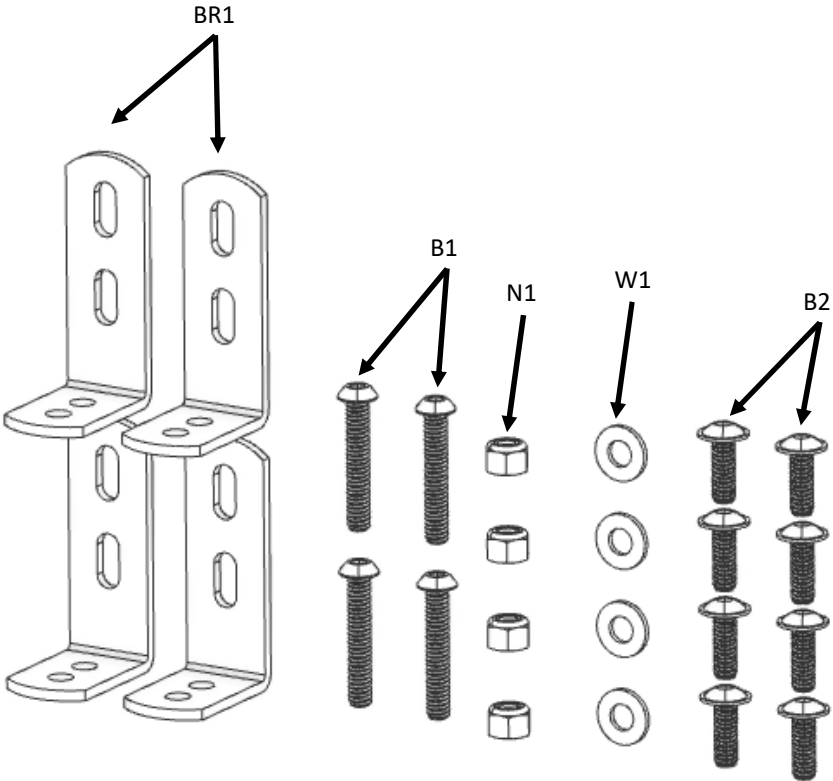
ShopRider Seat Base Mount

English

Image below shows installed device.



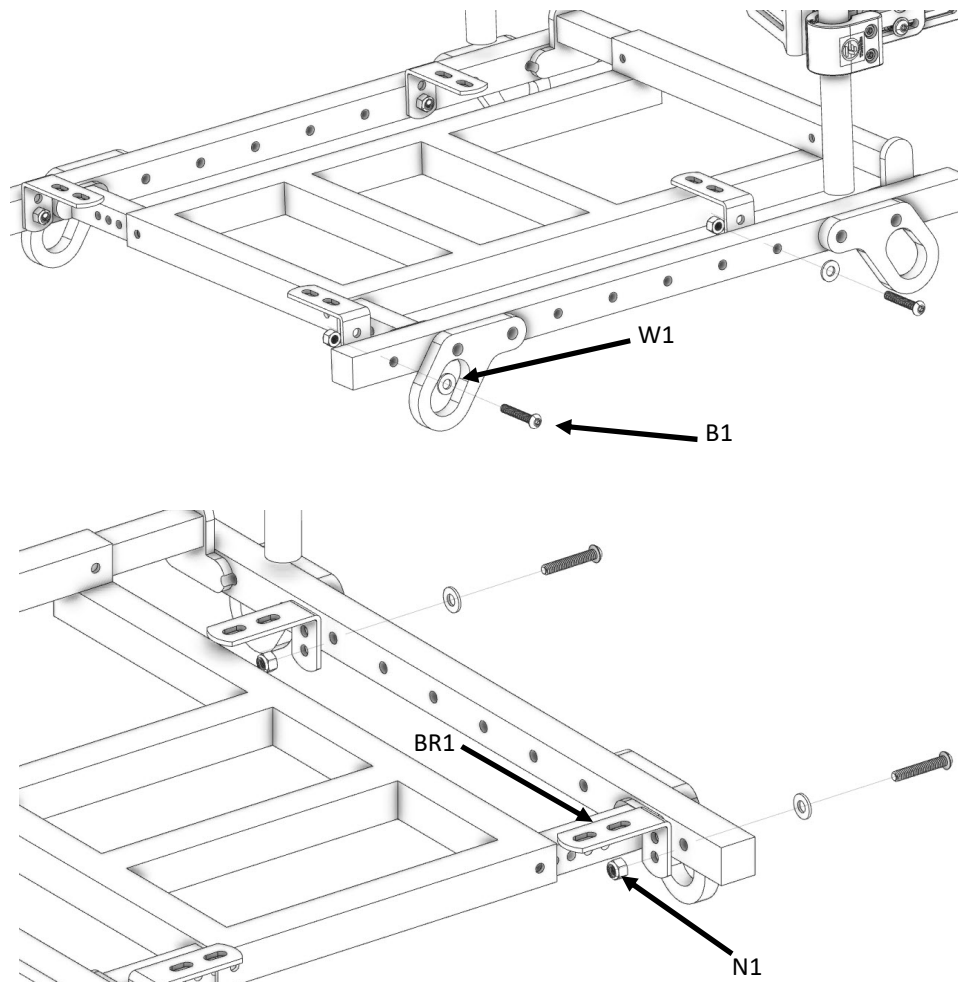
Product Identification



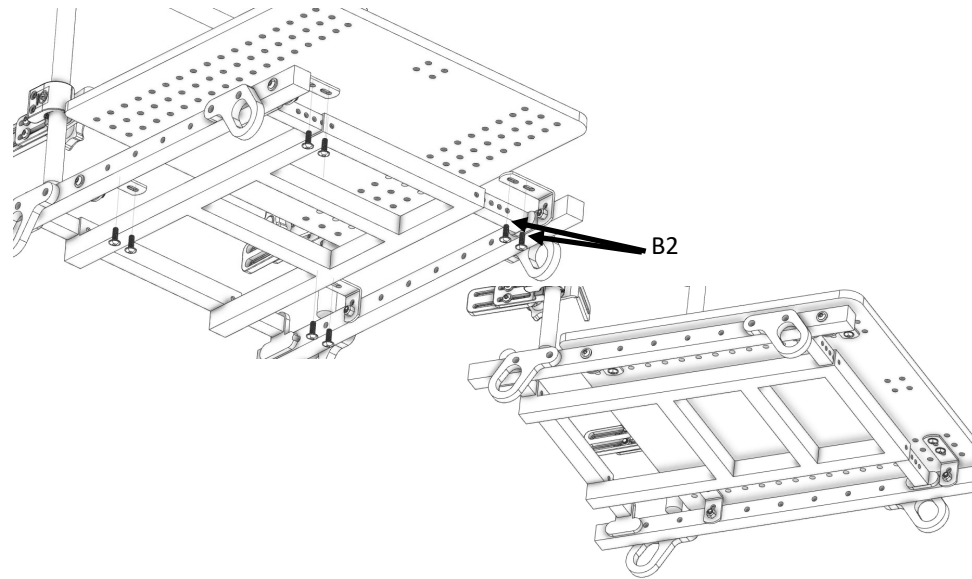
- ⚠ Caution: Read Instructions before operating device.
- ⚠ Caution: Device should be installed by a trained wheelchair technician.
- ⚠ Caution: Device should be attached to a wheelchair back that conforms with ISO16840-3 or equivalent.
- ⚠ Caution: Use caution when installing, removing or adjusting device to avoid pinching or trapping fingers.
- ⚠ Caution: Always tighten all fasteners securely and inspect fasteners regularly for tightness.

To Inst all:

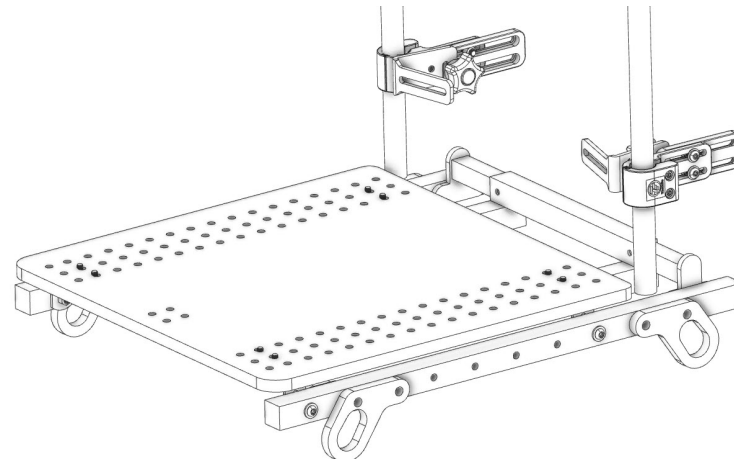
Step 1: Align lower, enlarged BR1 hole with corresponding holes in the side of the chair base. Install by passing bolt B1 and washer W1 through the outside of the chair base and loosely secure with nut N1.



Step 2: Attach seat base by passing bolt B2 through the bracket BR and into the seat base. Fasten down securely.




Step 3: Go back and finish tightening down bolts B1 to finish securing the seat base to the chair base.



Step 4: Attach seat to newly installed seat base.

Care and Cleaning

 Caution: Always tighten all fasteners securely and inspect fasteners regularly for tightness.

1. Clean with mild detergent and water using damp cloth. Air Dry.



2. Check all fasteners and retighten as needed.

Warranty

Any product found to be defective due to the material or workmanship within one year will be replaced under our return policy following product evaluation by Therafin Corporation. This replacement warranty does not include misuse or neglect of the product.

Document 08654

Revision B 09-2019

