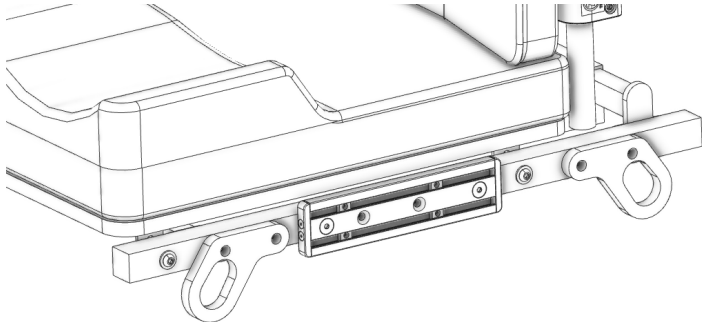
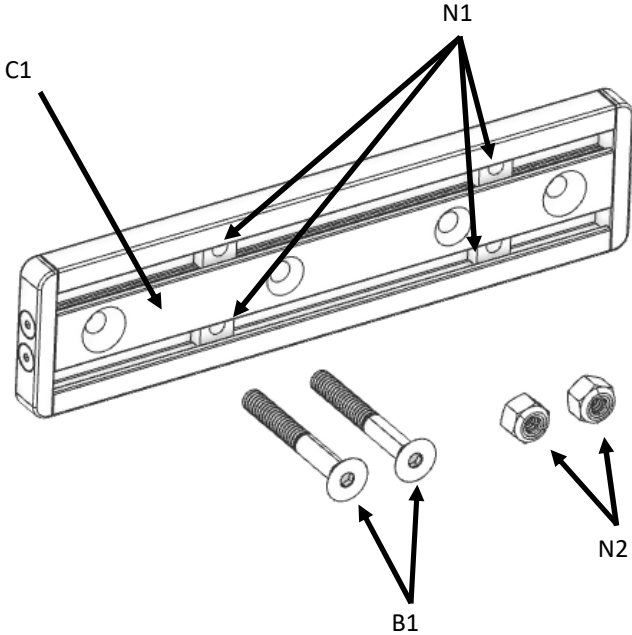


ShopRider Side Channel Mount

Image below shows installed device.



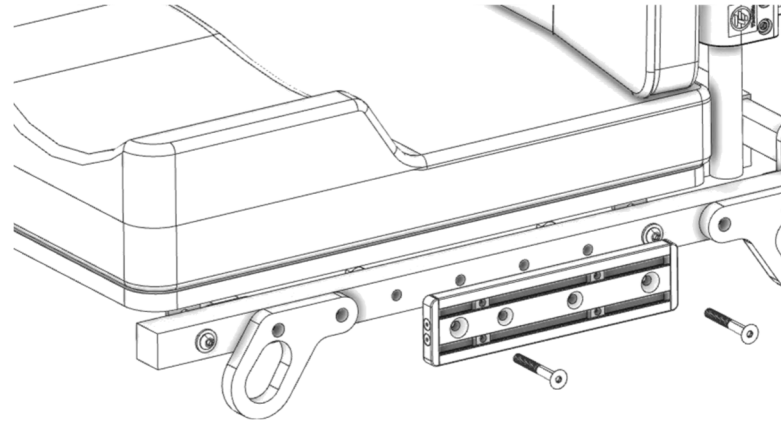
Product Identification



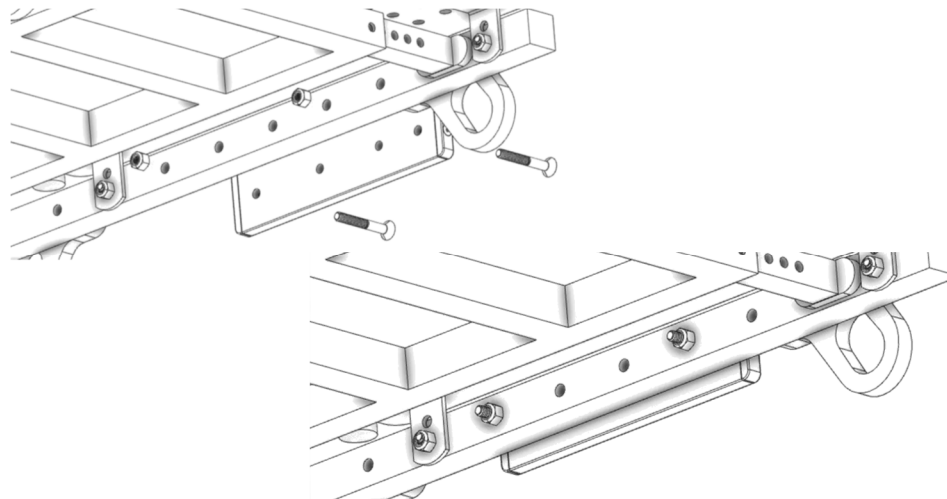
- ⚠ Caution: Read Instructions before operating device.
- ⚠ Caution: Device should be installed by a trained wheelchair technician.
- ⚠ Caution: Device should be attached to a wheelchair back that conforms with ISO16840-3 or equivalent.
- ⚠ Caution: Use caution when installing, removing or adjusting device to avoid pinching or trapping fingers.
- ⚠ Caution: Always tighten all fasteners securely and inspect fasteners regularly for tightness.

To Install:

Step 1: Align outer most holes on channel C1 with holes on the side of the chair base.

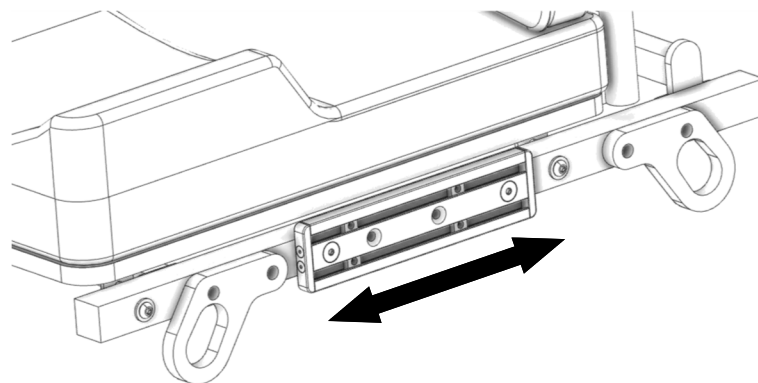


Step 2: Install using bolts B1 and tighten securely with nuts N2.




To Adjust:

Channel C1 is fixed. Adjustment is allowed by adjusting the position of nuts N1 along the inside of channel C1, attaching hardware as needed.



Care and Cleaning

 Caution: Always tighten all fasteners securely and inspect fasteners regularly for tightness.

1. Clean with mild detergent and water using damp cloth.



2. Check all fasteners and retighten as needed.

Warranty

Any product found to be defective due to the material or workmanship within one year will be replaced under our return policy following product evaluation by Therafin Corporation. This replacement warranty does not include misuse or neglect of the product.

Document 18720

Revision A 11-2023

