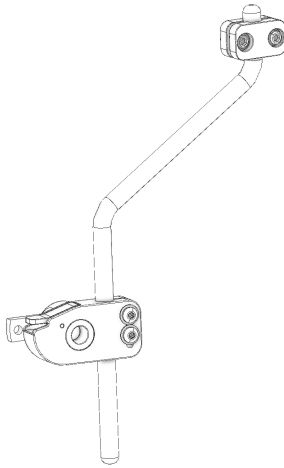


Therafin Flip-Down Adductor for PDG Fuze



Owner's Instruction Manual

Please ensure that this booklet remains with the seating device. This booklet is the property of the consumer and contains important information and instructions.

TABLE OF CONTENTS

General Information.....	2
Positioning Device Information and Warnings	3
Identification of Parts.....	4
Installation	5
Adjustment.....	7
Operation.....	10
Cleaning and Maintenance	11
Warranty	12

GENERAL INFORMATION

Part Number this manual: 18716

Revision A Sept 2023

This positioning device manufactured by:

Therafin Corp.
9450 W. Laraway Road
Frankfort, IL 60423

Hours: Monday thru Thursday 7AM to 5:30PM (Central Time) , Friday 8AM to 12:00PM

Phone toll-free 800-843-7234 Fax toll-free (24 hrs.) 888-479-1515

In Illinois Phone 708-479-7300 Fax 708-479-1515

Email: info@therafin.com

Retain all instructions and manuals you that you received with your positioning device.

Please contact your supplier/dealer with any question you have regarding your positioning device. Place the supplier/dealer's name and contact information in the space below:

Supplier: _____

Address: _____

Telephone: _____

Date Purchased: _____

POSITIONING DEVICE INFORMATION AND WARNINGS



WARNING

READ THE OWNERS MANUAL BEFORE USE.



WARNING

DO NOT CONTINUE TO USE THE DEVICE AFTER IDENTIFYING LOOSE OR BROKEN COMPONENTS. FAILURE TO COMPLY MAY RESULT IN INJURY



WARNING

DO NOT MAKE CHANGES TO THE POSITIONING DEVICE UNLESS YOU HAVE CONSULTED YOUR AUTHORIZED SUPPLIER FIRST. FAILURE TO COMPLY MAY RESULT IN INJURY TO THE USER.

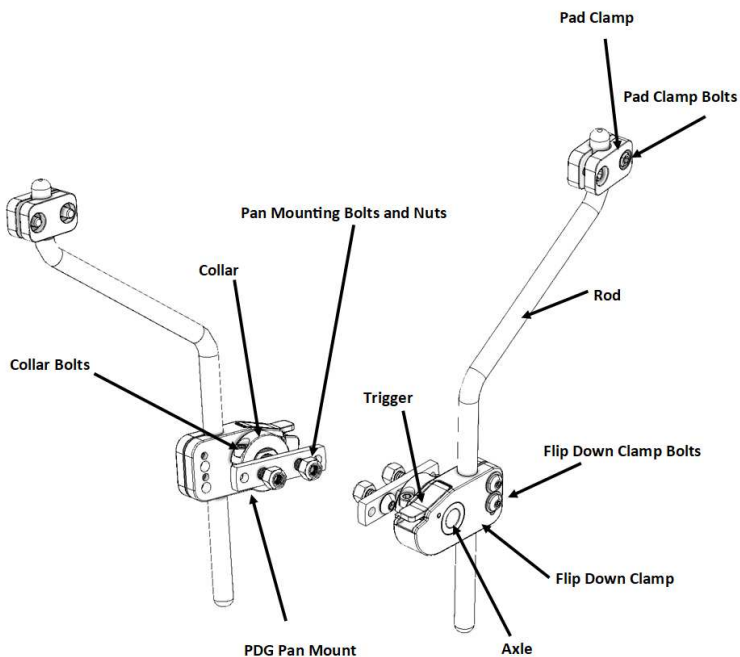
INFORMATION:

1. Therafin provides many seating devices and accessories to meet the needs of those who use wheelchairs and specialty devices. The appropriate selection of these devices and any subsequent adjustments should be made with your health care advisor and Therafin supplier. The considerations for appropriate selection include (but are not limited to):
 - a. -Your particular disability, your strength, your balance and coordination.
 - b. -The environment in which you use your seating device.
 - c. -Your need for options and accessories for both your safety and comfort.
2. Make sure all the attachment hardware is secure and tight.
3. Repair any problem. Your supplier can help you find and correct the problem. Contact your supplier for help for repairs or to correct a problem
4. Consult your supplier BEFORE you modify or adjust your device.
5. **For The User:**
 - a. Make sure that each person who helps you reads and follows all warnings and instructions that apply.
6. **For Attendants:**
 - a. Consult the user's doctor, nurse or therapist before assisting the user.
 - b. To prevent injury to your back, use good posture and proper body mechanics when you lift or support the user. This includes bending your knees slightly and keeping your back upright and straight.
7. Inspect and maintain this device regularly. If you detect a problem, make sure to service or repair the device before use.
8. Some of the screws bolts and nuts on this device are special high-strength fasteners.
9. ONLY use fasteners provided by your supplier.
10. Over- or under-tightened fasteners may fail or cause damage to chair parts.

11. If bolts or screws become loose, tighten them as soon as you can.
12. Therafin recommends that all fasteners be checked for wear, such as loose bolts or broken components every 3 months or as needed.
13. Loose fasteners should be retightened according to the installation instructions.
14. Check the function of all moveable parts during each use. Insure they adjust and lock into position to provide the necessary support to the user.
15. When hinged or adjustable components are moved there may be a "pinch point". Be aware of these points and insure all body parts are kept clear during movements and adjustments.

IDENTIFICATION OF PARTS

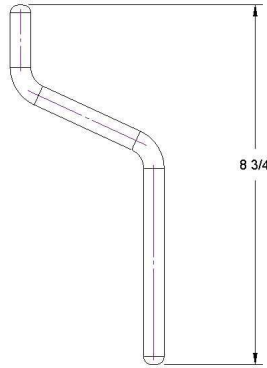
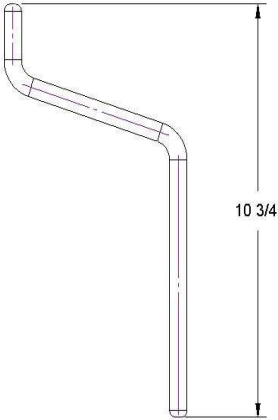
Shown below is the ***PDG Fuze Mounted Configuration*** of the Adductor. This device will attach to a PDG Fuze seat pan.



The Adductor is configured as either a *Long Arm* or *Short Arm* model. The illustration below indicates the difference.

LONG ARM

SHORT ARM

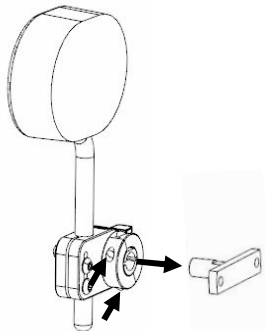


INSTALLATION

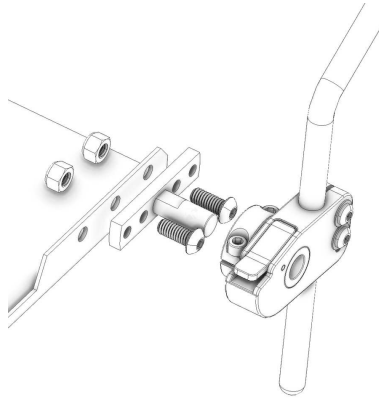
NOTE: Adductors are designed for a left or right application. For illustration purposes, all instructions show installation on the RIGHT side of the chair only.

PDG MOUNT - ATTACH THE MOUNT TO THE WHEELCHAIR SEAT PAN

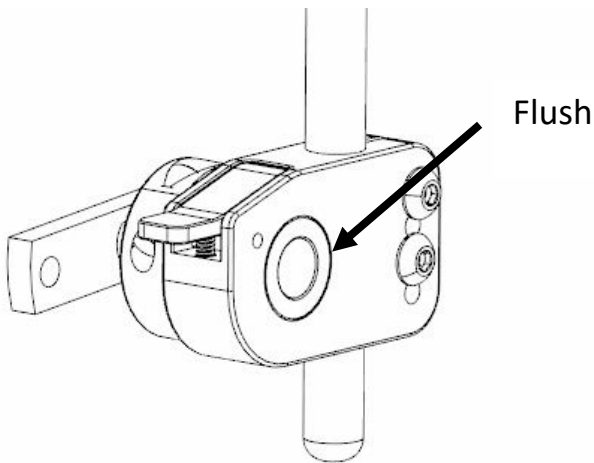
- A. Loosen the Collar Bolts on the Adductor Assembly and remove the PDG Pan Mount by sliding outward.



- B. Determine a location along the pan located on the wheelchair frame to attach the Mount. And attach with 5/16 bolts and nuts and reinstall clamp.



- C. Ensure that the Axle is flush with the Flip Down Clamp before tightening collar bolts.

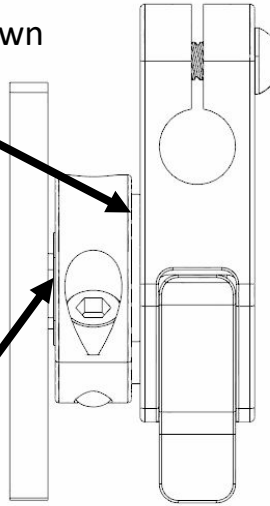


- D. Slide Collar snugly against the Washer and Flip Down Clamp and ensure that the Axle does not protrude. Tighten Collar Bolts.

Collar snug against

Washer and Flip Down
Clamp

Axle not
protruding
past Collar



ADJUSTMENT

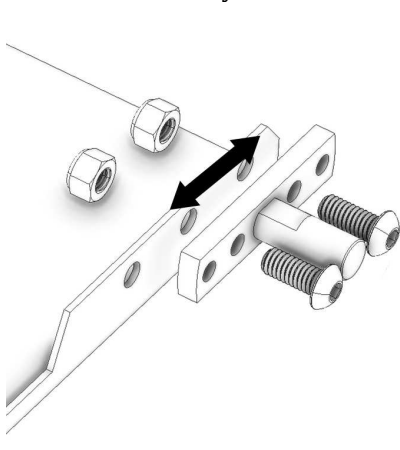
The Therafin Adductor Positioning Device has several adjustments to provide the correct user support.

Adjustments can be made for:

1. Distal/Proximal Location
2. Height Adjustment
3. Medial/Lateral Adjustment
4. Pad Angle

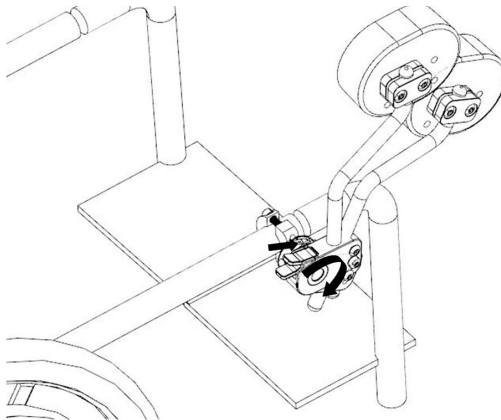
To make **Distal/Proximal** adjustment:

1. Remove the PDG Rail Mount Bolts and move the hardware along the wheelchair pan to the desired location.
2. Re-tighten fasteners securely when the desired location is achieved.



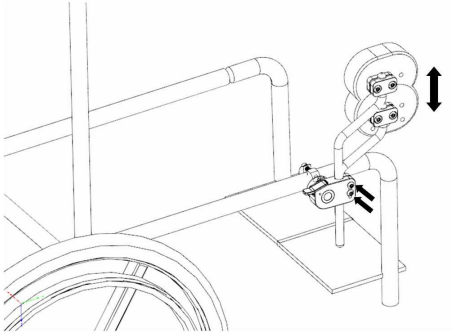
OR

1. Loosen the Collar Bolts on the Adductor Assembly and rotate the assembly around the axle.
2. Re-tighten fasteners securely when the desired location is achieved.



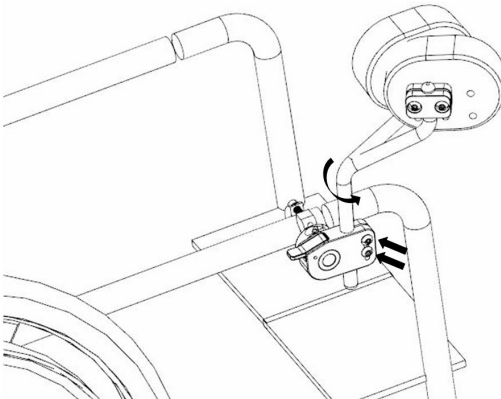
To make **Height** adjustment:

1. Loosen the Flip Down Clamp Bolts and slide Rod in the Assembly to the desired height.
2. Re-tighten fasteners securely when the desired location is achieved.



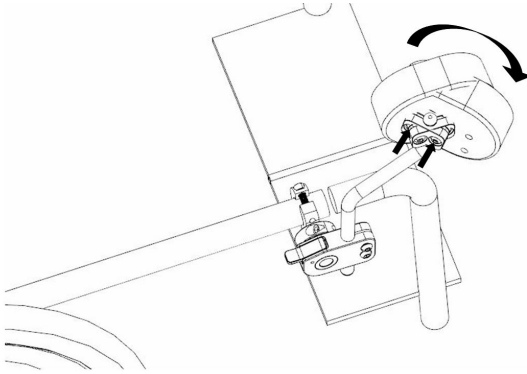
To make **Medial/Lateral** adjustment:

1. Loosen the Flip Down Clamp Bolts and rotate the Rod to the desired location.
2. Re-tighten fasteners securely when the desired location is achieved. Re-align the Pad by following the below procedure “To make **Pad Angle** adjustment:”.



To make **Pad Angle** adjustment:

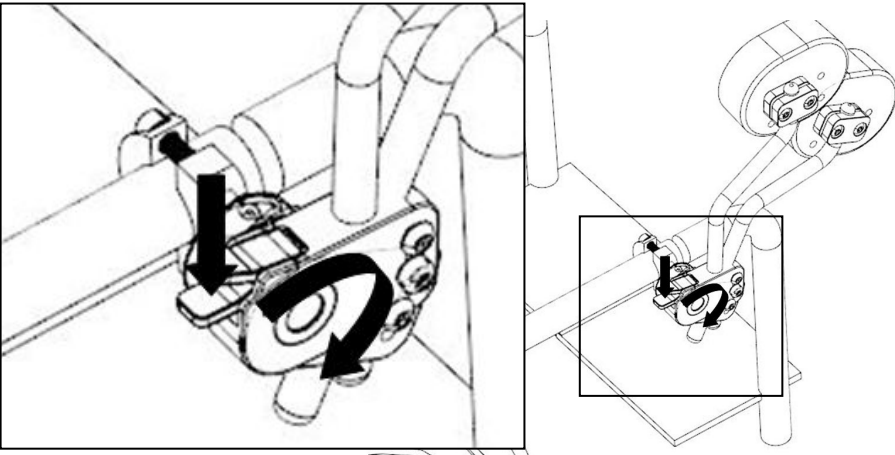
1. Loosen the Pad Clamp Bolts and rotate the Pad to the desired angle.
2. Re-tighten fasteners securely when the desired location is achieved.



OPERATION

To flip the Adductor downward for transfers:

1. Depress the Trigger to release and rotate the Assembly forward or backward.
2. Raise the Assembly into the original position until it locks in place securely.



CLEANING & MAINTENANCE

CLEANING:

UPHOLSTERY AND/OR FABRICS:

Surfaces may be wiped clean with mild soap and water. Do not use harsh detergents, cleaning agents or abrasives. Avoid the use of polishes that can make the surfaces slippery after cleaning.

POSITIONING COMPONENTS AND HARDWARE:

Wipe clean with mild soap and water. Do not use harsh detergents, cleaning agents or abrasives. Avoid the use of polishes that can make the surfaces slippery after cleaning.

Do not submerge components underwater.

If you have any additional questions about how to clean or maintain your device please contact your Therafin dealer or agent.

MAINTENANCE:



WARNING

FAILURE TO FOLLOW THE MAINTENANCE BELOW MAY RESULT IN INJURY TO THE USER.



WARNING

DO NOT CONTINUE TO USE THE DEVICE AFTER IDENTIFYING LOOSE OR BROKEN COMPONENTS OR FASTENERS:

Therafin recommends that all fasteners should be checked for wear every 3 months.

Perform an inspection for loose bolts or broken components every 3 months.

Loose fasteners should be retightened according to the installation instructions. All fasteners should be tightened to torque specifications as stated in the hardware installation instructions.

Contact your Therafin or dealer supplier immediately to replace any broken or malfunctioning components.



WARNING

DO NOT CONTINUE TO USE THE DEVICE AFTER IDENTIFYING LOOSE OR BROKEN COMPONENTS. REMOVABLE, ADJUSTABLE OR HINGED COMPONENTS.

Check the function of all moveable components during each use. Insure they adjust and lock into position and supply the necessary support to the user.

WARRANTY

Limited Warranty

Any product found to be defective due to the material or workmanship within one year will be replaced under our return policy following product evaluation by Therafin Corporation. This replacement warranty does not include misuse or neglect of the product.

Liability

While Therafin Corporation is responsible for any product that is defective due to manufacturing by Therafin Corporation, we are not liable for misuse or misapplication of our products. To achieve optimum performance, it is recommended that experienced professionals be consulted in the selection and application of our products.