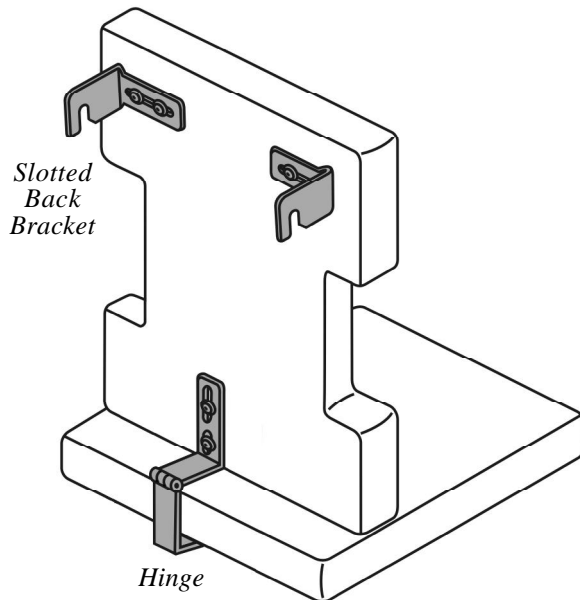


2 KNOB BACK / GROWTH HINGE

These instructions are general information, and should be used to determine the best way for you to set up the kit, based on your particular needs and equipment

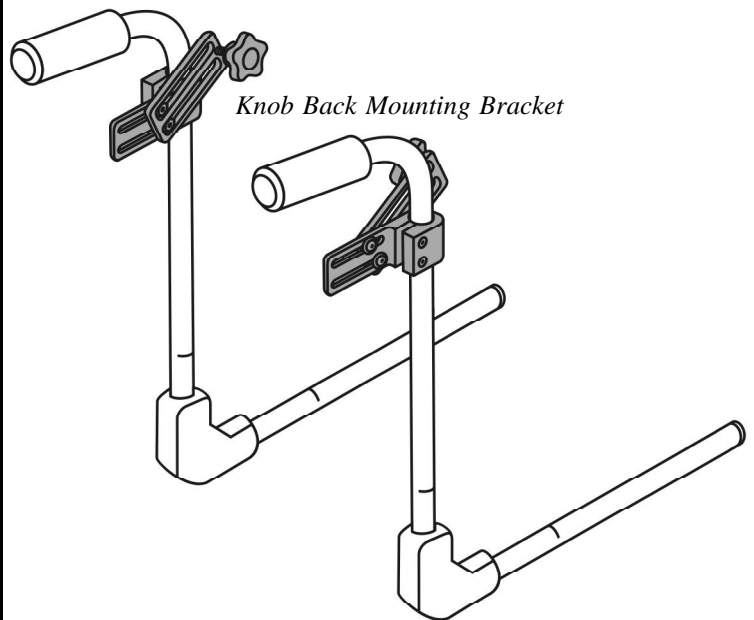
Attach Hardware To Cushions



Step 1: Install the Hinge.

Step 2: Install the Slotted Back Brackets on the back cushion. They get installed toward the top of the cushion. Leave them loose enough to be adjusted later.

Attach Hardware To Chair

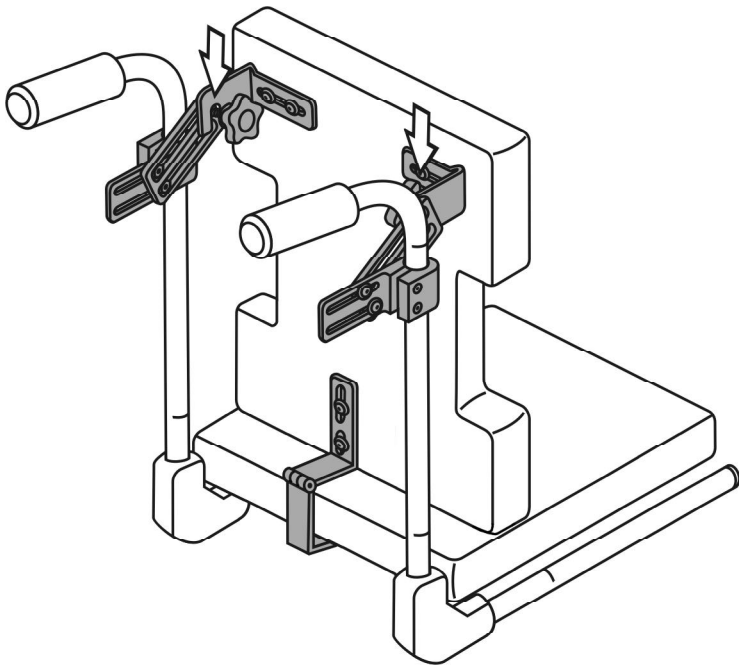


Step 3: Install Knob Back Mounting Brackets on the back canes of the chair. Use the spacer for 7/8" tubes.

On a chair that has short canes, you can mount the hardware on the canes positioned lower than the Slotted Back Bracket that attaches to the back of the chair cushion. You can also mount the hardware higher than the Slotted Back Bracket.

Attach Cushion To Chair

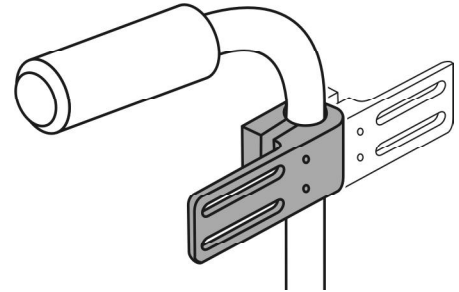
Slotted Back Brackets sit on the Knob Back Mounting Brackets



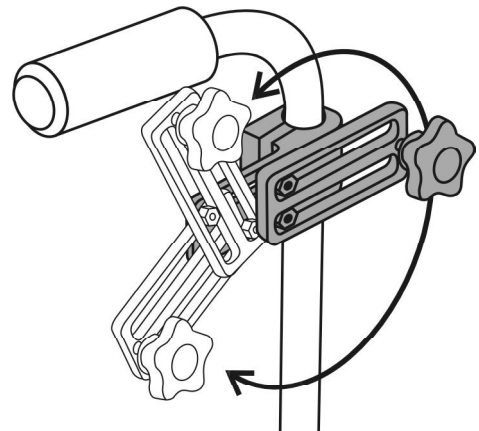
Step 4: On the back cushion, adjust the Slotted Back Brackets so they sit on the Knob Back Mounting Brackets. Tighten them onto the back cushion. Tighten the Knob so it holds the Slotted Back Brackets in place, but leave the Back Mounting Brackets loose enough to be adjusted later.

Step 5: To adjust the angle of the cushions, slide the Back Mounting Brackets along the back canes. Back Mounting Brackets have a great deal of adjustment (see pictures to right). Once the cushions are at the desired angle, tighten the Back Mounting Brackets.

Adjusting The Back Hardware



To achieve maximum growth adjustment, the Back Mounting Bracket can be installed on the cane in either direction.



To achieve maximum angle and growth adjustment, the Knob Bracket can be rotated around, and slid back and forth in the slots.