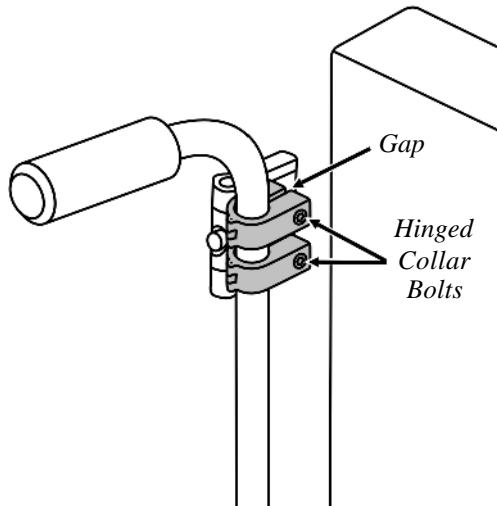


CANE MOUNTED SWINGAWAY LTS

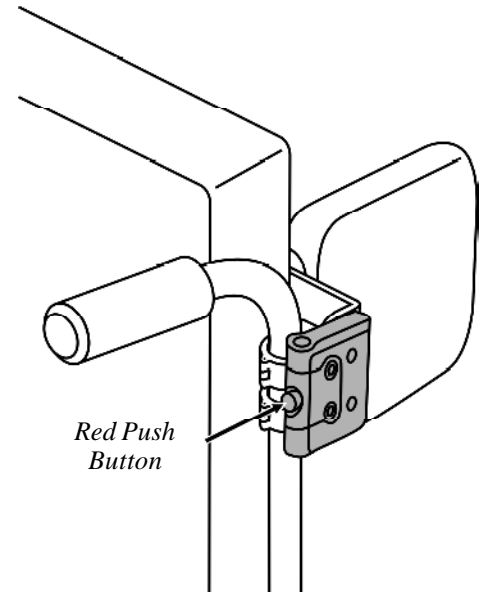


Attach Hardware To Cane

Attach the 2 Hinged Collars to the chair cane. Use all 4 semi-circular spacers inside each Hinged Collar for a 7/8" cane, or 2 semi-circular spacers inside each Hinged Collar for a 1" cane.

IMPORTANT: Squeeze the Hinged Collars in place and install the bolts STRAIGHT THROUGH THEM!

IMPORTANT: DO NOT OVERTIGHTEN the Hinged Collars! When attached to the cane, A GAP WILL REMAIN BETWEEN THE TWO SIDES OF THE COLLAR.



Swingaway Hinge

Push the red Push Button release to swing the lateral pad out of the way.



9450 W Laraway Rd
Frankfort, IL 60423
www.Therafin.com

800-843-7234
Fax 888-479-1515
info@Therafin.com

08612
revised 01/2016

Back Channel

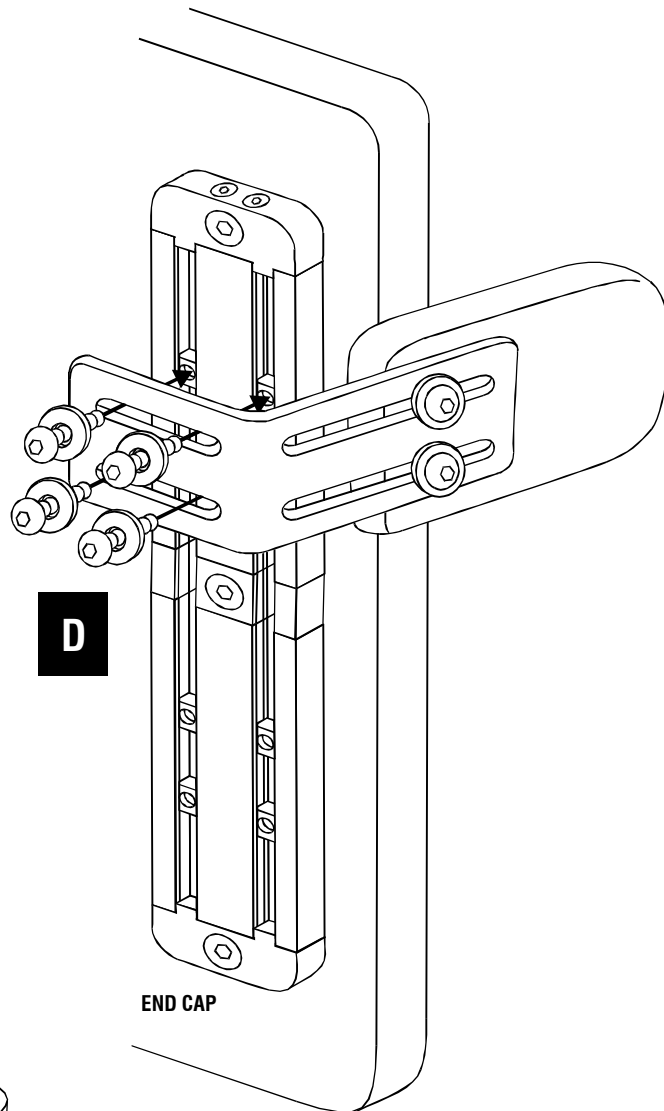
ATTACH CHANNEL TO CHAIR BACK

NOTE: End Caps are pre-attached and should not need to be removed.

A Slide Square Nuts into tracks.

B Slide Center Connector into tracks.

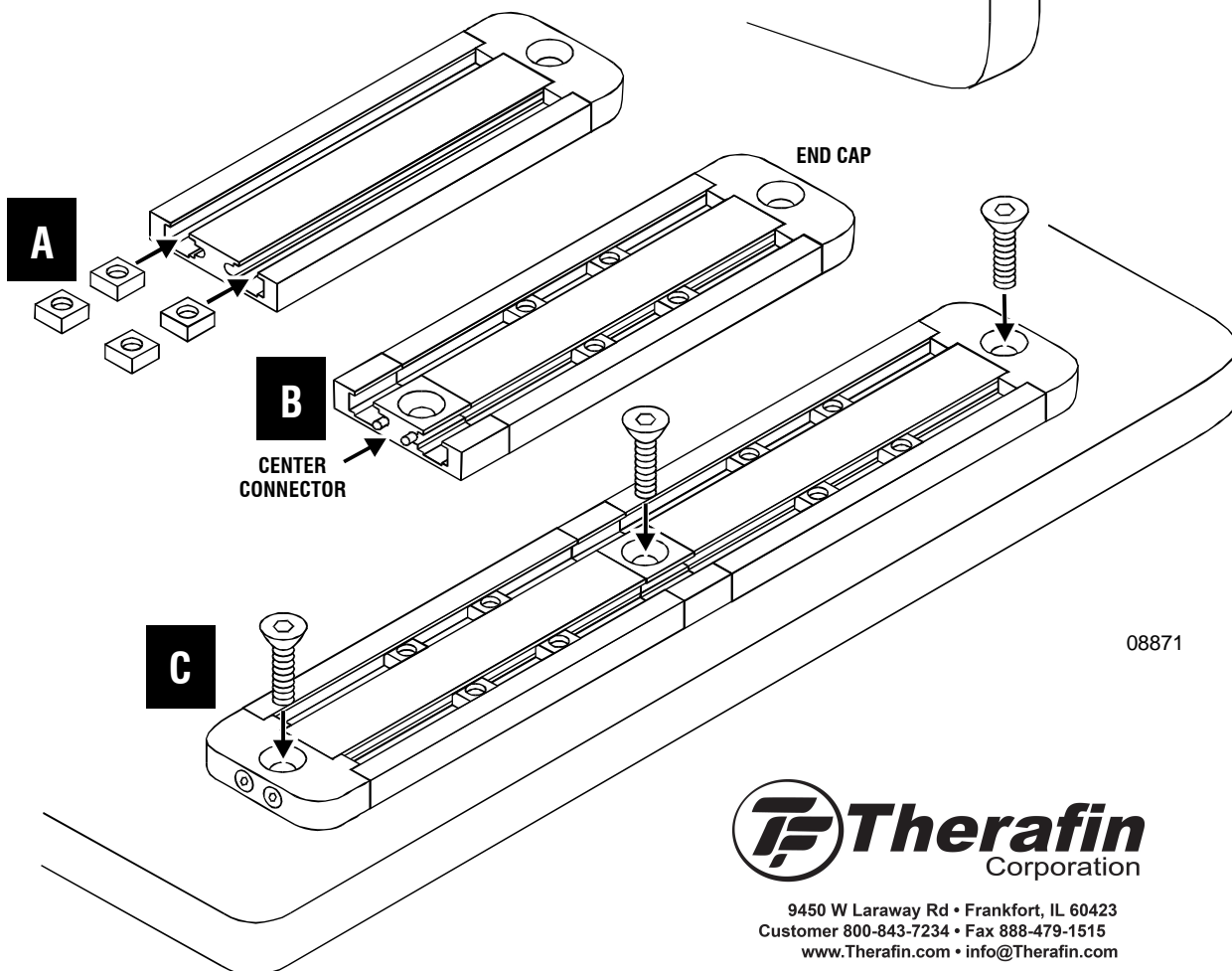
C Slide the other Channel Section into Center Connector. Attach to chair with Flat Head Cap Screws.



ATTACH HARDWARE TO CHANNEL

D Slide Square Nuts into appropriate position. Attach your hardware to Square Nuts with Round Head Cap Screws and Washers. Slide your hardware into desired position on Channel and tighten.

IMPORTANT: If End Cap is removed from Channel, DO NOT OVERTIGHTEN SCREWS WHEN REATTACHING IT!



08871

 **Therafin**
Corporation

9450 W Laraway Rd • Frankfort, IL 60423
Customer 800-843-7234 • Fax 888-479-1515
www.Therafin.com • info@Therafin.com