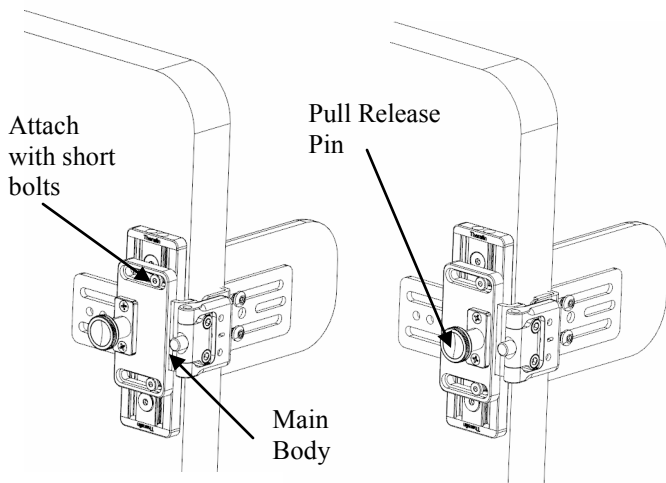


## PIN RELEASE STYLE SUMMER/ WINTER HARDWARE



**Option 1**  
**Pull Pin Mounted Midline**

**Option 2**  
**Pull Pin Mounted Lateral**

### Attach (Channels)

\*see other side for attaching to back with T-nuts

Step 1 : Determine if the pull release pin should be located midline (option 1) or lateral (option 2). (Reversing this may help with interferences)

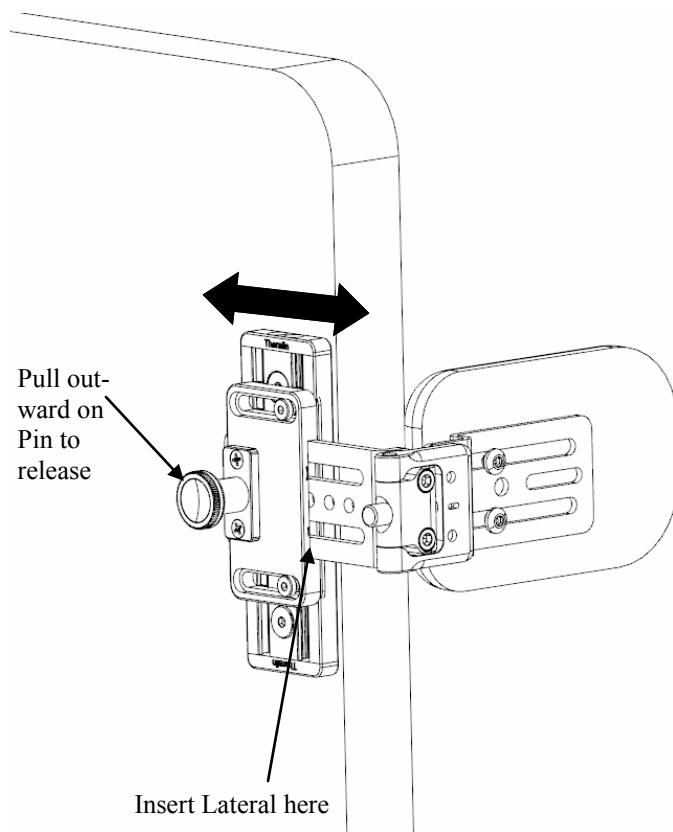
Step 2 : Attach the main body bracket to the channels using the included bolts (Use the shorter bolts)

Step 3 : Adjust the main body bracket in or out to desired position and tighten bolts

Step 4 : Pull the pin outward and slide the lateral into position. Release the pin.

## Operate

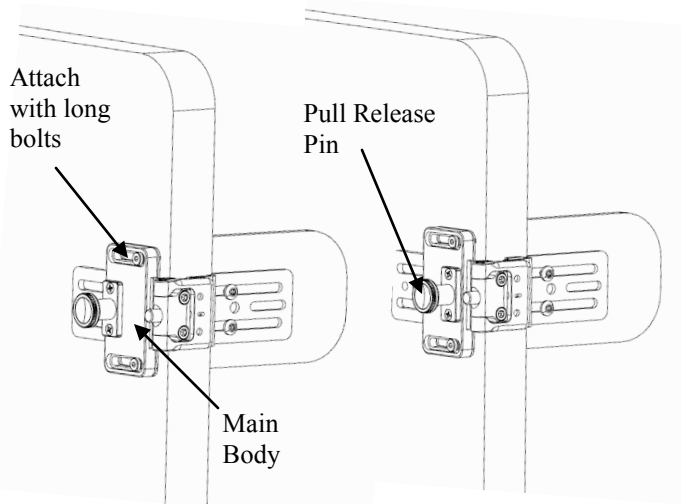
Step 1 : Pull outward on release pin and adjust lateral into desired position. Ensure that hole is aligned and the pin snaps closed.



9450 W Laraway Rd  
Frankfort, IL 60423  
www.Therafin.com

800-843-7234  
Fax 888-479-1515  
info@Therafin.com

## PIN RELEASE STYLE SUMMER/ WINTER HARDWARE (cont'd)



**Option 1**  
Pull Pin Mounted Midline

**Option 2**  
Pull Pin Mounted Lateral

### Attach (No Channels)

\*see other side for attaching to channels

Step 1 : Determine if the pull release pin should be located midline (option 1) or lateral (option 2). (Reversing this may help with interferences)

Step 2 : Attach the main body bracket to the back using the included bolts (Use the longer bolts) making sure to use the plastic spacer behind the main body bracket.

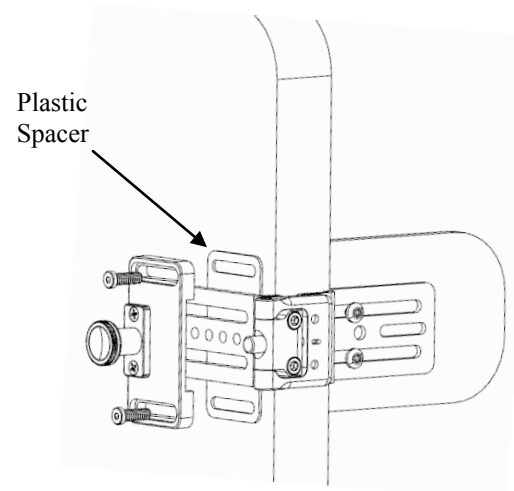
Step 3 : Adjust the main body bracket in or out to desired position and tighten bolts

Step 4 : Pull the pin outward and slide the lateral into position. Release the pin.

08618

### IMPORTANT: PLASTIC SPACER MUST BE USED!

There must be a plastic spacer between the main body bracket and the back as shown below.



### Operate

Step 1 : Pull outward on release pin and adjust lateral into desired position. Ensure that hole is aligned and the pin snaps closed.

