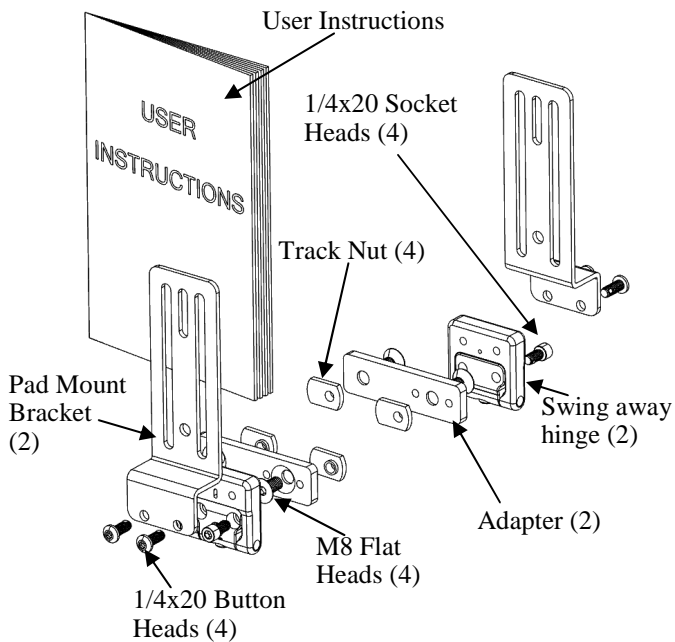


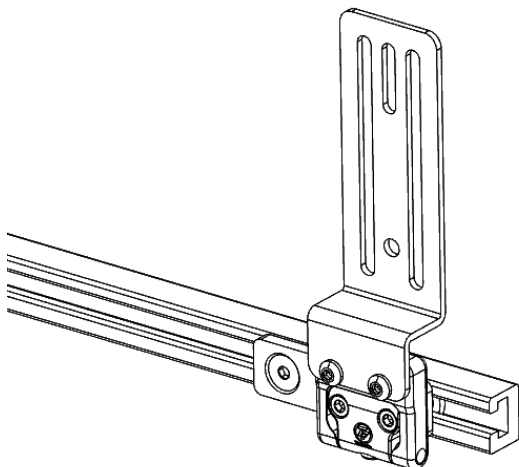
# Flip Away Hip Guide for Quantum

- ⚠ Caution: Read Instructions before operating device.
- ⚠ Caution: Device should be installed by a trained wheelchair technician.
- ⚠ Caution: Use caution when installing, removing or adjusting device to avoid pinching or trapping fingers.
- ⚠ Caution: Always tighten all fasteners securely and inspect fasteners regularly for tightness.

## Product Identification

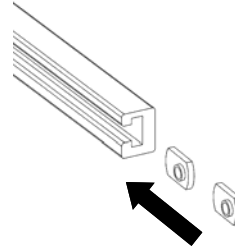


**To Install:**  
Image below shows installed device.

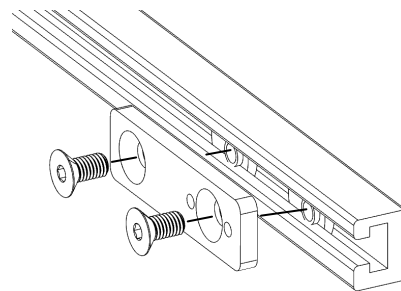


**To Install:**  
Image below shows installed device.

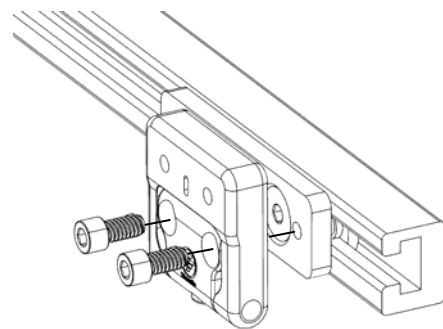
**Step 1:** Slide Track nuts into Track



**Step 2:** Attach Adapter using M8 Flat Head Bolts. Position along track and tighten bolts.



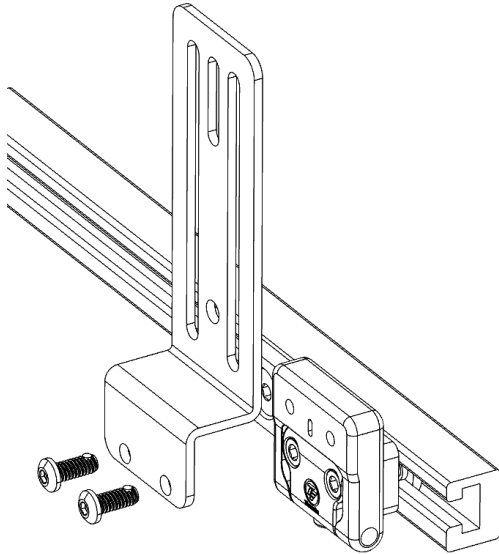
**Step 3:** Attach Swing away hinge using Socket Head Bolts




Therafin Corporation  
9450 W Laraway Road  
Frankfort, IL 60432 USA  
800-843-7234

# Flip Away Hip Guide for Quantum

**Step 4:** Attach Pad Mount Brackets using Button Head Bolts



## Care and Cleaning

 Caution: Always tighten all fasteners securely and inspect fasteners regularly for tightness.

1. Clean with mild detergent and water using damp cloth.  
Air Dry.



2. Check all fasteners and retighten as needed.

## Warranty

Any product found to be defective due to the material or workmanship within one year will be replaced under our return policy following product evaluation by Therafin Corporation. This replacement warranty does not include misuse or neglect of the product.

*Document 08679  
Revision A XX-2014*



 Therafin Corporation  
9450 W Laraway Road  
Frankfort, IL 60423 USA  
800-843-7234  
[www.therafin.com](http://www.therafin.com)