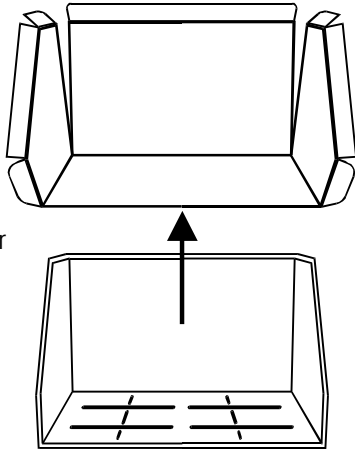
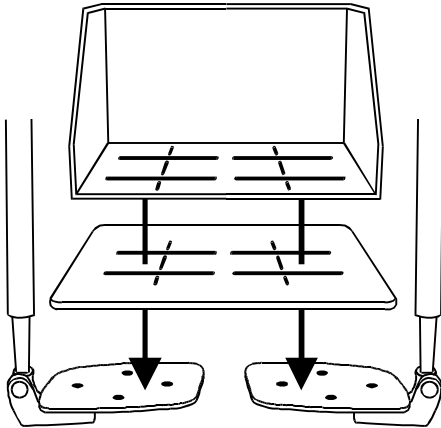


Footbox

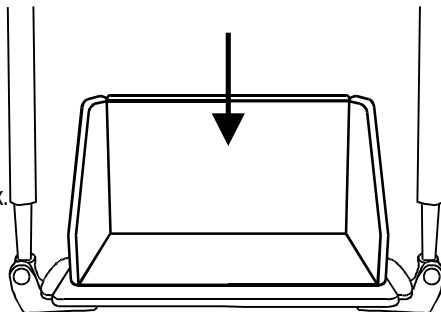
1. Remove the padded cover from the footbox.



2. Attach the footbox and bumper plate to the footrest plates. Use the hardware included, if desired.



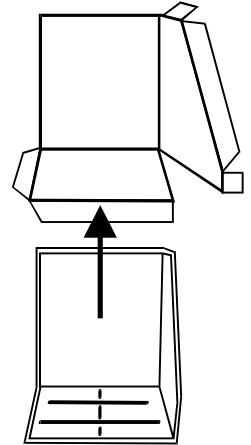
3. Replace the padded cover over the footbox.



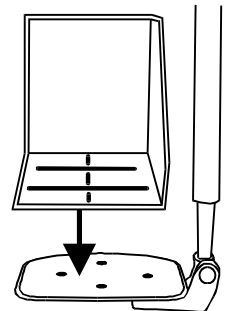
08836

Split Footbox

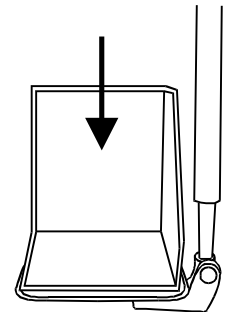
1. Remove the padded cover from the footbox.



2. Attach the footbox to the footrest plate.



3. Replace the padded cover over the footbox.



08864



9450 W Laraway Rd
Frankfort, IL 60423
www.Therafin.com

800-843-7234
Fax 888-479-1515
info@Therafin.com