



9450 W Laraway Rd
Frankfort, IL 60423
www.Therafin.com

800-843-7234
Fax 888-479-1515
info@Therafin.com

Therafin FootSure Ankle Supports



Owner's Instruction Manual

Please ensure that this booklet stays attached to the seating device. This booklet is the property of the consumer and contains important information and instructions.

PRODUCT IDENTIFICATION AND CONTENTS

The FootSure Ankle Support is available in two styles. They contain EITHER a Hook and loop closure or a Side Release Buckle closure. Identify which style of FootSure Ankle Supports you have with the chart and pictures below.

Side Release Buckle Closure



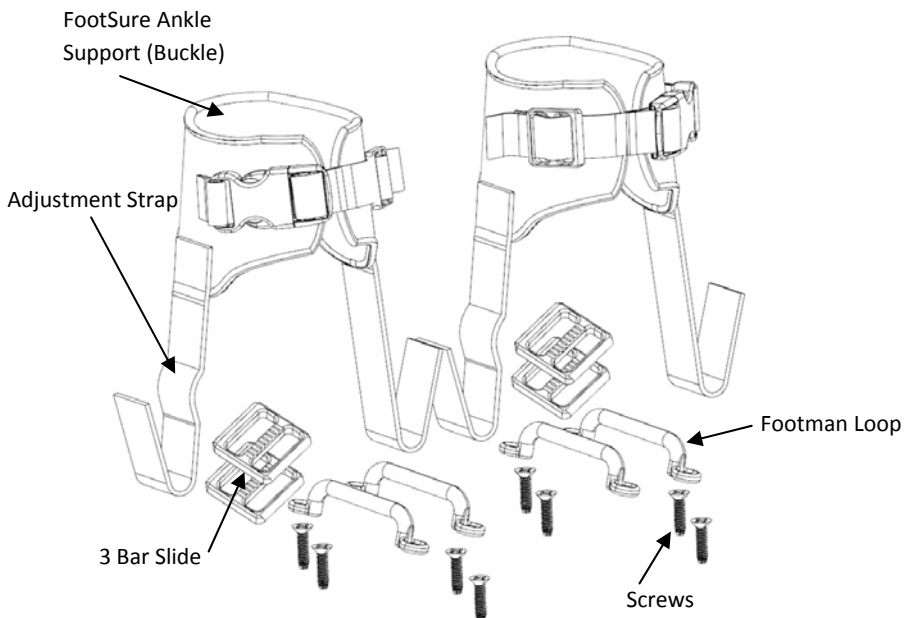
Style	Size	Item	Description	Unit
Buckle Style - PAIR	X-Small	60250	FootSure Ankle Support Buckle, X-Small	PR.
	Small	60251	FootSure Ankle Support Buckle, Small	PR.
	Medium	60252	FootSure Ankle Support Buckle, Medium	PR.
	Large	60253	FootSure Ankle Support Buckle, Large	PR.
	X-Large	60254	FootSure Ankle Support Buckle, X-Large	PR.

Hook and Loop Closure

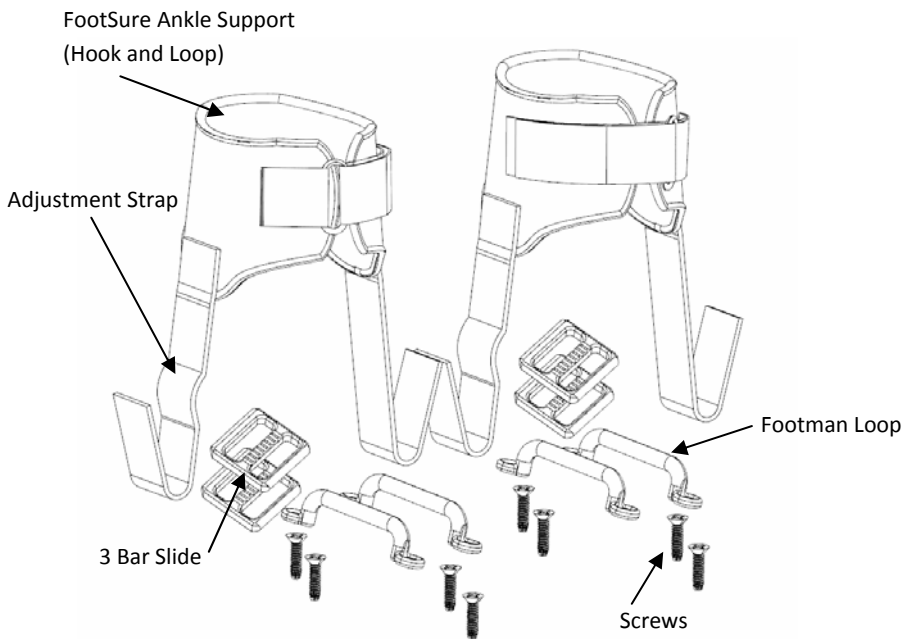


Style	Size	Item	Description	Unit
Hook and Loop Style - PAIR	X-Small	60255	FootSure Ankle Support, Hook and loop, X-Small	PR.
	Small	60256	FootSure Ankle Support, Hook and loop, Small	PR.
	Medium	60257	FootSure Ankle Support, Hook and loop, Medium	PR.
	Large	60258	FootSure Ankle Support, Hook and loop, Large	PR.
	X-Large	60259	FootSure Ankle Support, Hook and loop, X-Large	PR.

CONTENTS OF SIDE RELEASE BUCKLE CLOSURE



CONTENTS OF HOOK AND LOOP CLOSURE



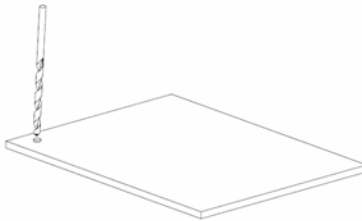
INSTALLATION

STEP-1 POSITION AND ATTACH FOOTMAN LOOPS

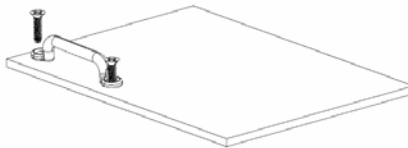
- A. Position footman loops outside of the patient's shoes and mark the hole location.



- B. Drill holes using #17 or #16 drill bit. (nearest fractional size is 11/64")



- C. Fasten Footman Loops with supplied screws.

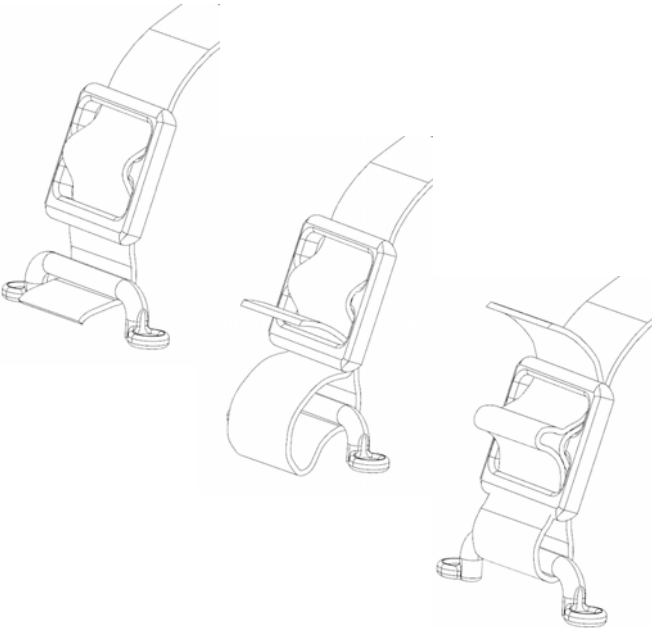


STEP-2 ATTACH FOOTSURE ANKLE SUPPORT STRAPS (HOOKS)

- A. Place FootSure Ankle Support on the patient's ankle and determine the length of adjustment strap. Place the 3 bar slide on the strap (as shown) and pass the strap under the footman loop.



- B. Follow diagrams below to secure the adjustment strap



POSITIONING DEVICE ADJUSTMENT

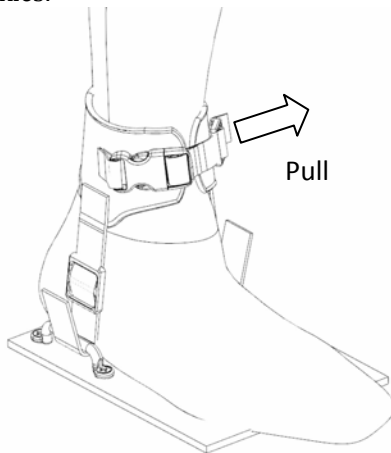
The FootSure Ankle Support has two main adjustments for growth and also to provide the correct user support.

Adjustments can be made through:

1. The adjustment straps as described in step 2 of the Installation Section.
2. Adjustment of the closure buckles or straps

To make adjustments to buckle or strap closures:

1. Buckles:



2. Hook and Loop:

