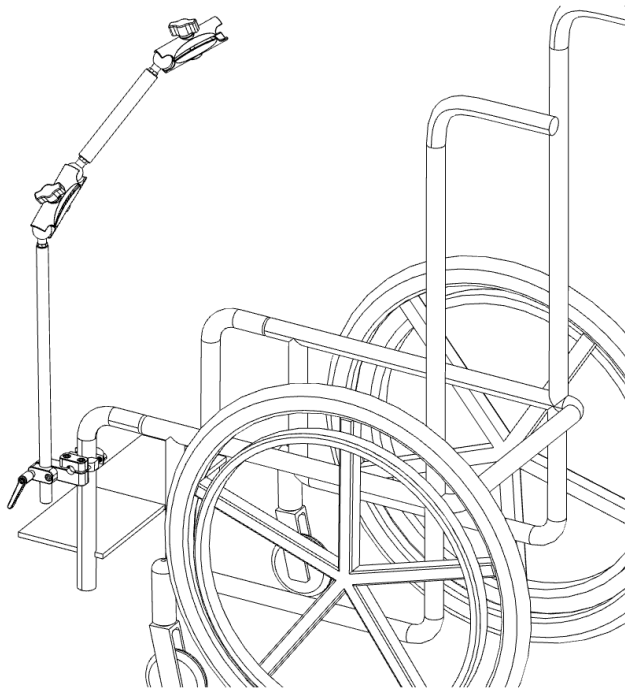


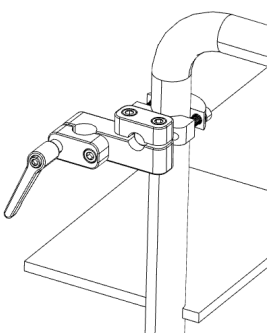
# Communication Frame Mount

## To Install:

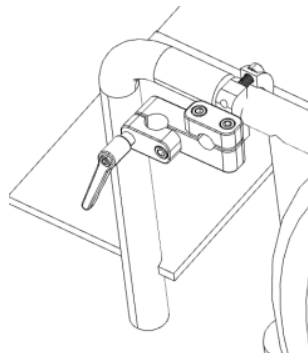
Image below shows installed device.



**Step 1:** Locate an appropriate place for attaching to the wheelchair. The clamp can be placed on a vertical or horizontal or angled frame member.

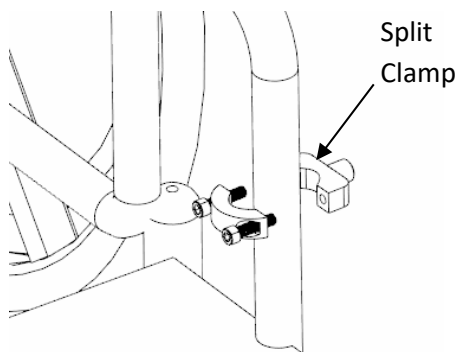


*Vertical Orientation*

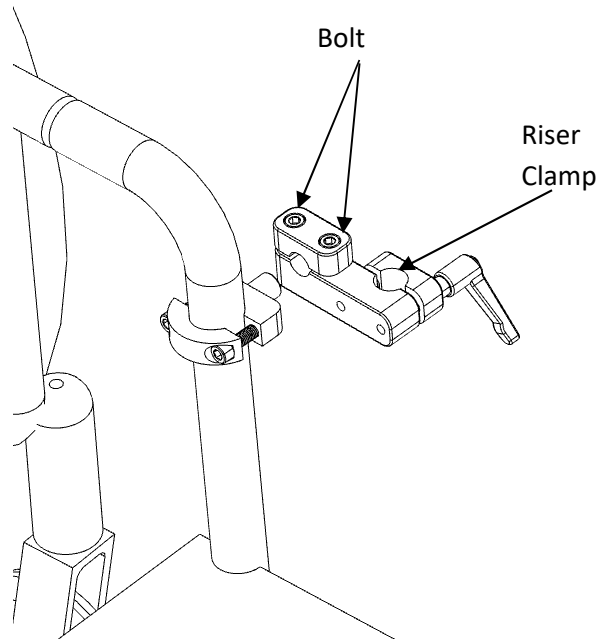


*Horizontal Orientation*

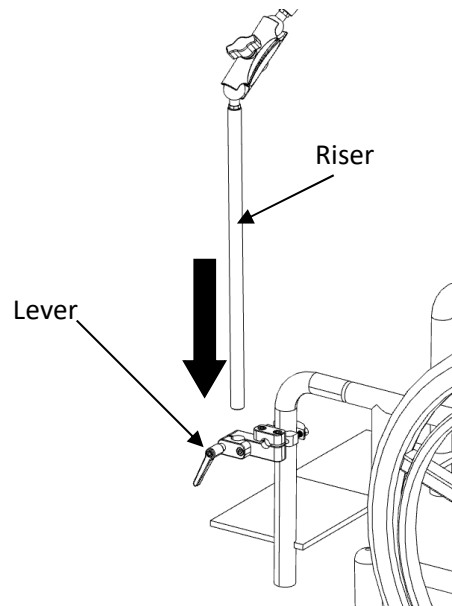
**Step 2:** Place Split Clamp on frame. Install and tighten bolts.



**Step 3:** Install Riser Clamp on Split Clamp and tighten bolt.



**Step 4:** Insert Riser into Riser Clamp tighten Lever to prevent rotation.

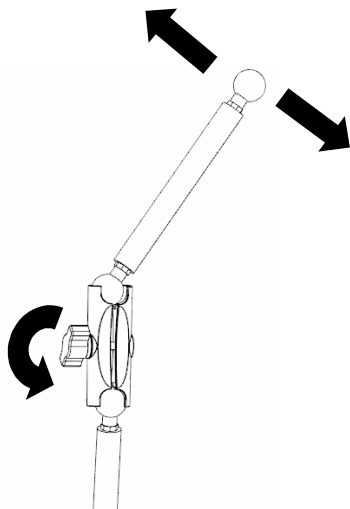


Therafin Corporation  
9450 W Laraway Road  
Frankfort, IL 60432  
800-843-7234  
www.therafin.com

# Communication Frame Mount

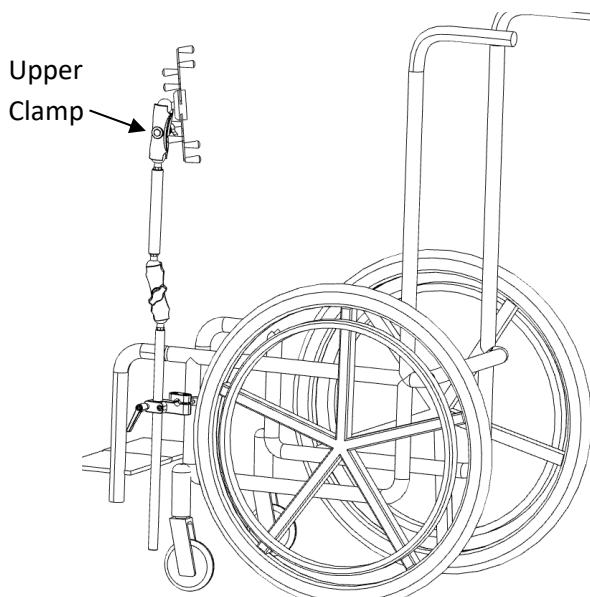
## To Adjust:

Loosen Knob and repositioning Clamp and tube.  
Retighten knob.



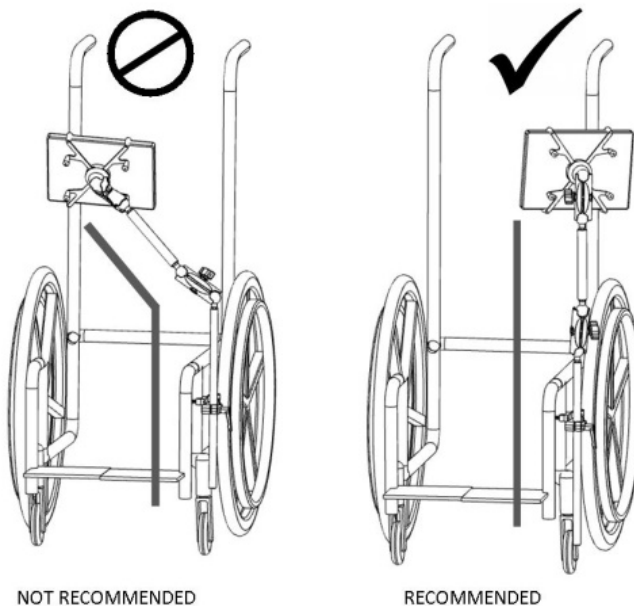
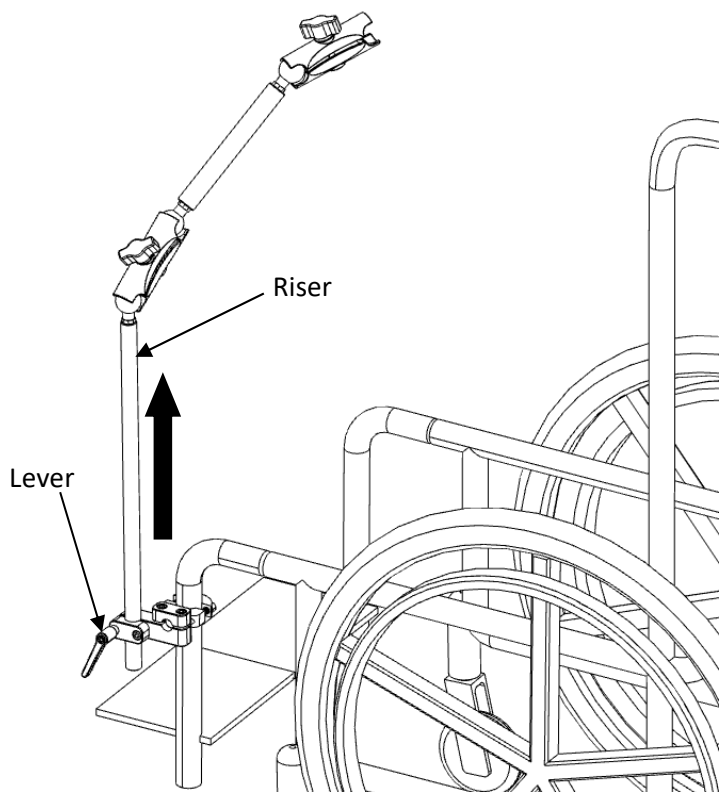
## Attach Device Mount to Upper Clamp

(Device mount 32357 shown, your device mount may vary)



## To Operate:

Loosen Lever and rotate Riser OR lift out.



Therafin Corporation  
9450 W Laraway Road  
Frankfort, IL 60432  
800-843-7234