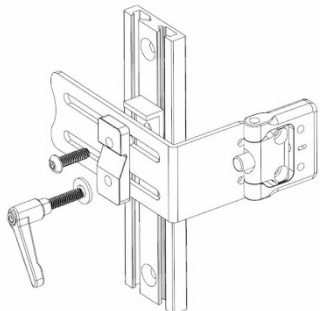


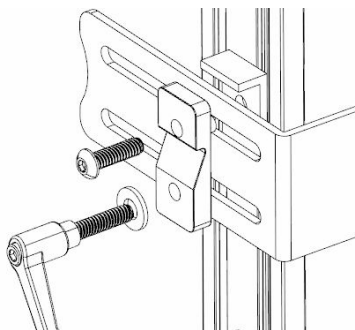
Low Profile Summer Winter Hardware

To Install Hardware on Channels:

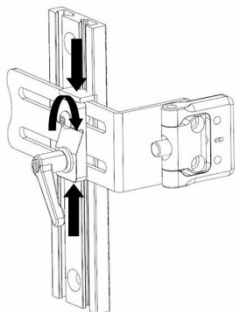
Step 1: Place the Lateral Thoracic bracket on top of the L shaped lower spacer (L shape should be at the top).



Step 2: Orient the clamp so the tapered surface is ABOVE the lever (see below). The lever should always be in the lower hole.



Step 3: After selecting the correct Lateral Thoracic height, insert the bolt into a nut in the channel. Press downward on the lower spacer and upward on the clamp and then tighten the bolt. This removes play in the Lateral Thoracic bracket.

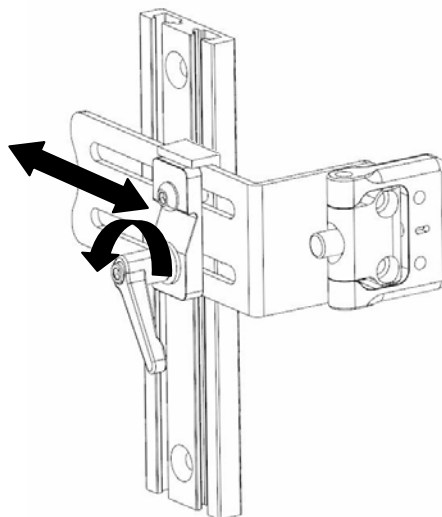


Step 4: Install the lever into the lower hole and tighten into a nut in the channel.

To Adjust Hardware on Channels:

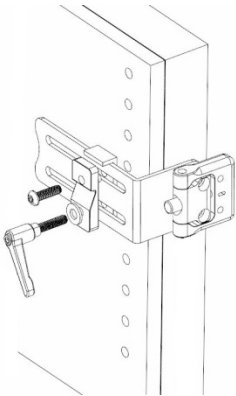
Height Adjustments: Loosen the lever AND bolt to make height adjustments. Set to correct height and retighten the bolt. Remember to press downward on the lower spacer and upward on the clamp while tightening the bolt. This removes play in the Lateral Thoracic bracket. Last, tighten the lever.

Width Adjustments: Loosen only the lever to make width adjustments. Retighten when the correct width is achieved.

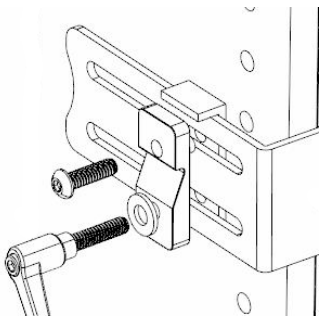


To Install Hardware on Back:

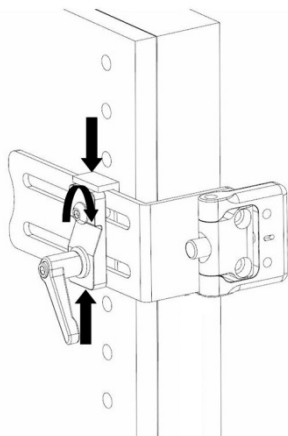
Step 1: Place the Lateral Thoracic bracket on top of the L shaped lower spacer (L shape should be at the top).



Step 2: Orient the clamp so the tapered surface is ABOVE the lever (see below). The lever should always be in the lower hole.



Step 3: After selecting the correct Lateral Thoracic height, insert the bolt into a T-nut in the back. Press downward on the lower spacer and upward on the clamp and then tighten the bolt. This removes play in the Lateral Thoracic bracket.



Step 4: Install the lever into the lower hole and tighten into a nut in the channel.

To Adjust Hardware on Back:

Height Adjustments: Loosen the lever AND bolt to make height adjustments. Set to correct height and retighten the bolt. Remember to press downward on the lower spacer and upward on the clamp while tightening the bolt. This removes play in the Lateral Thoracic bracket. Last, tighten the lever.

Width Adjustments: Loosen only the lever to make width adjustments. Retighten when the correct width is achieved.

