

# Headrests

## SURELOCK SQUARE BAR HEADREST HARDWARE

**Features:**

- Positive locking joints allow for easy adjustment
- Ball diameter is 1"
- Features a positioning stop collar which allows you to remove the headrest assembly without changing the desired headrest position
- Mounting plate is compatible with both 1 7/8" and 2" on center hole spacing
- Easily attaches to power wheelchairs
- Use with any headrest pad on pages 36-39 (sold separately)

Description	Part Number
Surelock Square Bar Headrest Hardware	50218

CE compliant



HEADREST PAD SOLD SEPARATELY



Surelock Headrest video:  
[tinyurl.com/SurelockHeadrest](http://tinyurl.com/SurelockHeadrest)

CUSTOM SEATING

BODY POSITIONING

## HEADREST MOUNTING HARDWARE

**Features:**

- Use with headrest assemblies
- Slotted for 1 7/8" and 2" spacing

Description	Part Number
Mounting Plate with Lever	32967
Mounting Plate and Knob	32910B
Extension Bar	32477

IMPROVED MOUNTING PLATE WITH LEVER

32967

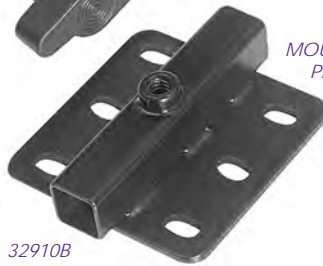


KNOB



MOUNTING PLATE

32910B



EXTENSION BAR 32477



WHEELCHAIR TRAYS

ASSISTIVE TECHNOLOGY

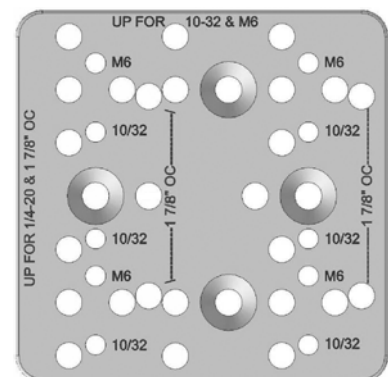
PATIENT TRANSFER

## HEADREST ADAPTER PLATE






**Features:**

- Switch head supports without modifying back
  - Designed to mount onto standard Therafin back t-nut pattern
  - 3 1/2" x 3 1/2" plate is 5/16" thick black anodized aluminum
  - Rotation feature to align 10-32 and M6 (metric) hole patterns
- Will support the following listed manufacturers head supports, though not all models from each manufacturer will be supported:
- Millers
  - AES
  - CRE (2" sq.)
  - Stealth
  - Whitmyer (flipdown and standard)
  - AEL (10-32 thread)
  - Freedom Designs (center mount knob not supported)
  - Otto Bock (both 10-32 thread and M6 metric thread)

Description	Part Number
Headrest Adapter Plate	32825

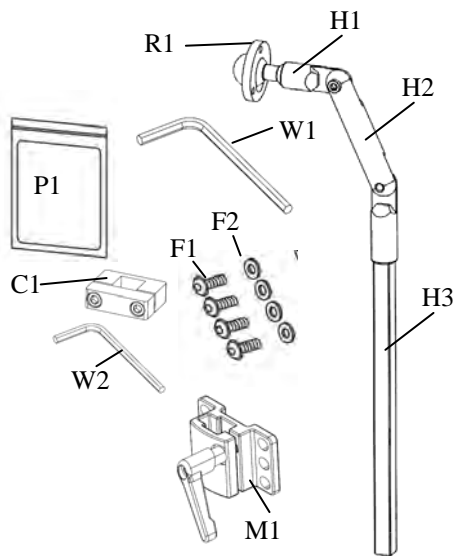


# Surelock Headrest Hardware

-  Caution: Read Instructions before operating device.
-  Caution: Device should be installed by a trained wheelchair technician.
-  Caution: Device should be attached to a wheelchair back that conforms with ISO16840-3 or equivalent.
-  Caution: Use caution when installing, removing or adjusting device to avoid pinching or trapping fingers.
-  Caution: Always tighten all fasteners securely and inspect fasteners regularly for tightness.

## Product Identification

Components of the Surelock Headrest Device.

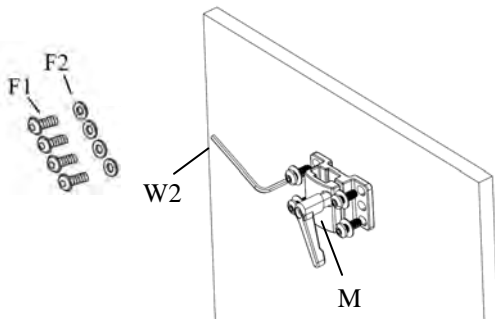


## Clean before assembly and use

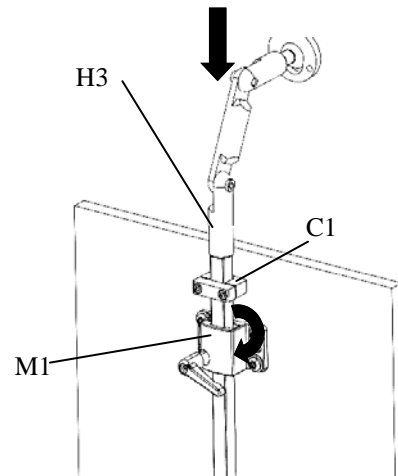
Components may have a protective coating to shield from environmental damage. Use wipe (P1) to clean components prior to assembly and use.

## Installation and Assembly

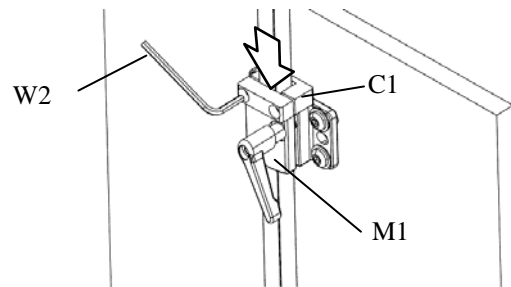
1. Attach M1 to Wheelchair back using F1 and F2  
Tighten securely with wrench W2.



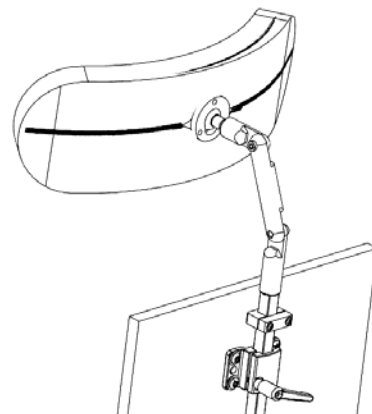
2. Place C1 onto H3 and insert H3 into M1. Tighten Knob.



3. Place C1 in desired position and tighten bolts with wrench W2.



4. Attach headrest. (See Headrest Instructions)

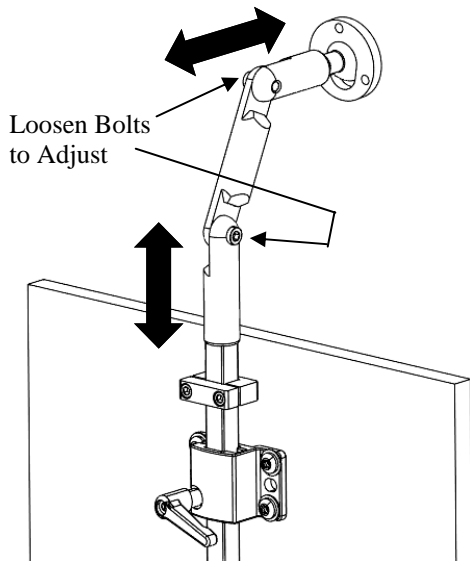


# Surelock Headrest Hardware

## Adjustment

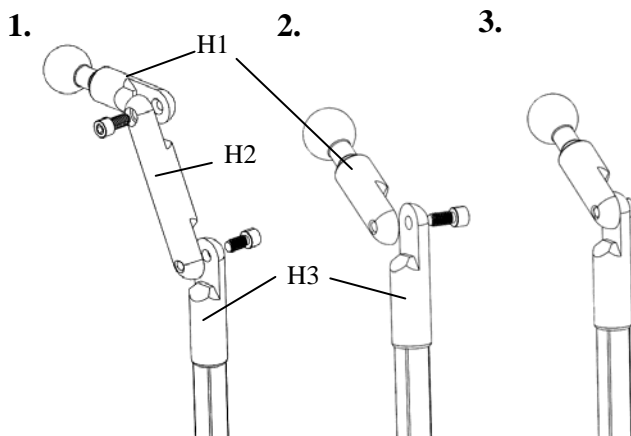
- ⚠ Caution: Device should be installed by a trained wheelchair technician.
- ⚠ Caution: Use caution when installing, removing or adjusting device to avoid pinching or trapping fingers.
- ⚠ Caution: Always tighten all fasteners securely and inspect fasteners regularly for tightness.

Adjustments shown below. Re-tighten all fasteners after desired position is obtained.



Device can be reconfigured by removing H2.

1. Remove bolts.
2. Remove H2 and attach H1 to H3.
3. Reinstall bolt and tighten.



## Care and Cleaning

- ⚠ Caution: Always tighten all fasteners securely and inspect fasteners regularly for tightness.

1. Clean with mild detergent and water using damp cloth.  
Air Dry.



2. Check all fasteners and retighten as needed.

## Warranty

Any product found to be defective due to the material or workmanship within one year will be replaced under our return policy following product evaluation by Therafin Corporation. This replacement warranty does not include misuse or neglect of the product.



Therafin Corporation  
9450 W Laraway Road  
Frankfort, IL 60432 USA  
800-843-7234  
[www.therafin.com](http://www.therafin.com)

**Headrest Adapter Plate, 32825**

The enclosed headrest adapter plate is designed to allow mounting of various manufacturer headrests to a standard Therafin Back. The below manufacturer's are supported, though not all models from each manufacturer will be supported. Please consult the detailed drawing to check hole locations and threading.

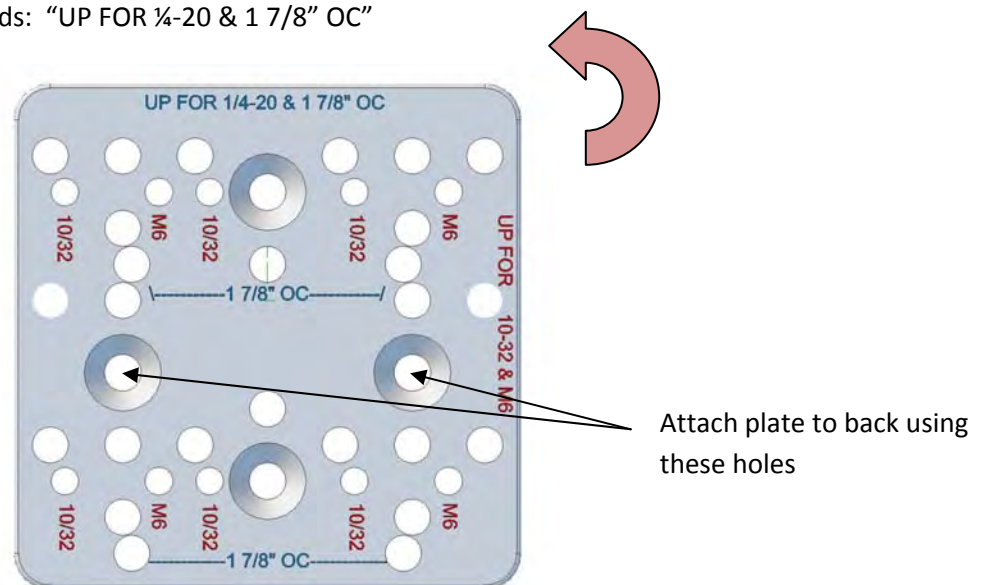
Millers  
Whitmyer (flip down and standard)  
AEL (10-32 thread)  
AES  
CRE (2" square),  
Freedom Designs (center mount with knob not supported)  
Stealth  
Otto Bock (both 10-32 thread and M6 metric thread)

**To use the Headrest Adapter Plate:**

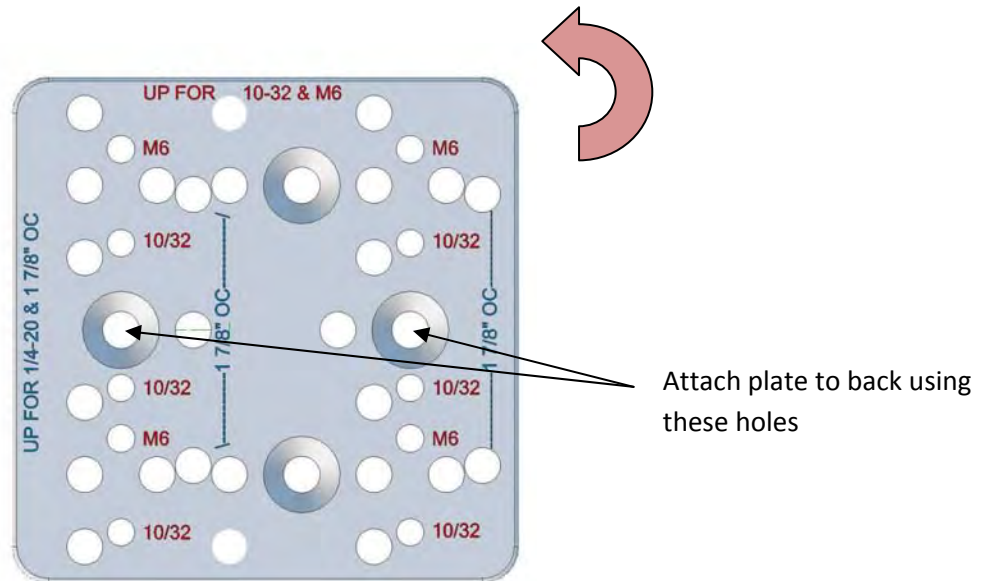
*The plate is designed to rotate depending on required mounting.*

1. Rotate the plate so the text with the desired hole size and/or spacing is at the top of the plate. Therafin recommends determining the required orientation **before** mounting the plate to the back.

a. For holes with a ¼-20 threading OR holes that are 1 7/8" on center, rotate the plate so the text at the top reads: "UP FOR ¼-20 & 1 7/8" OC"



b. For holes with a 10-32 OR M6 (metric) threading rotate the plate so the text at the top reads: "UP FOR 10-32 & M6"



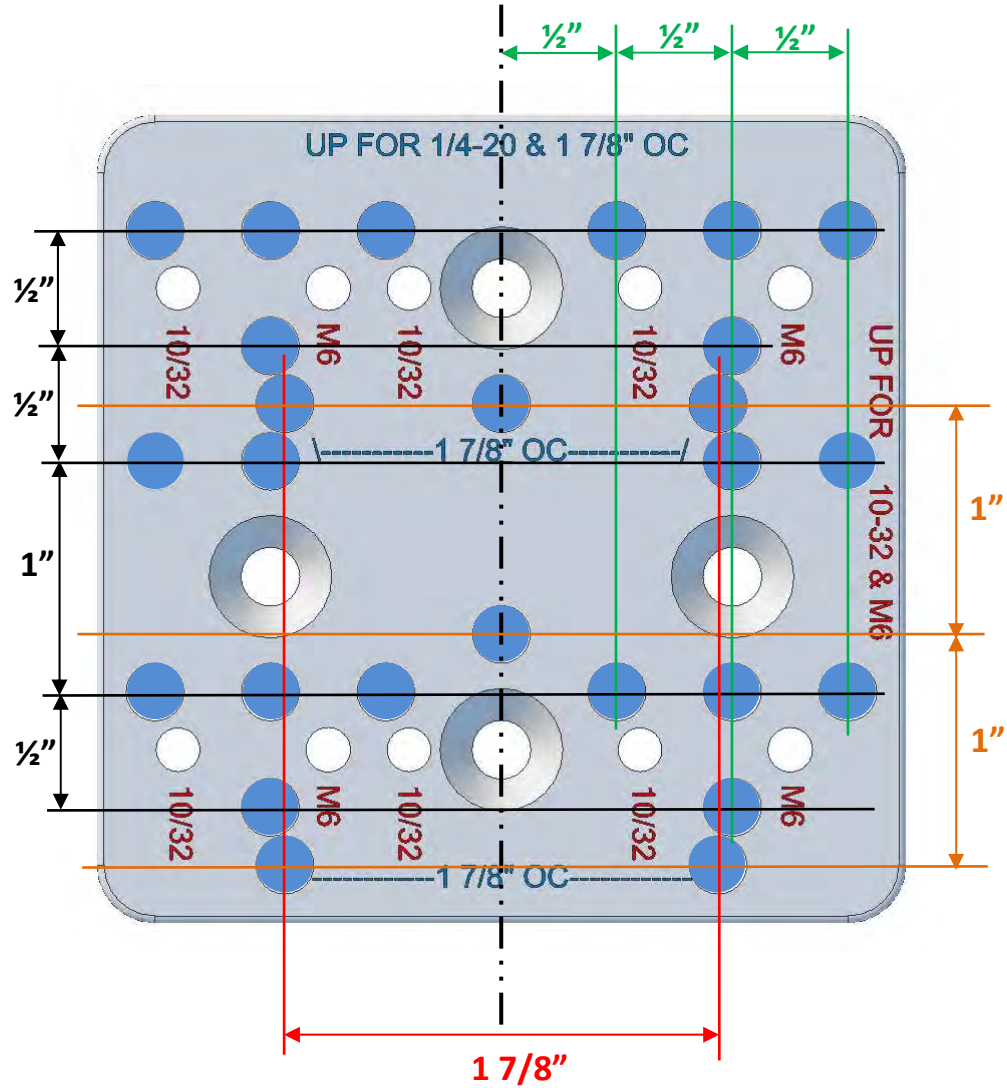
2. After determining the orientation, select the T-nuts on the back that will be used to attach the plate. There are several holes to select from. Choose the holes that are the correct distance down from the top to ensure proper function of the headrest bracket that you are mounting.

3. Secure the plate to the back using the enclosed flat head bolts (Qty 2 - 1/4"-20 x 3/4" long ).

4. Attach the headrest bracket to the plate ( Enclosed are four 1/4"- 20 x 1/2" long button head bolts for your convenience)

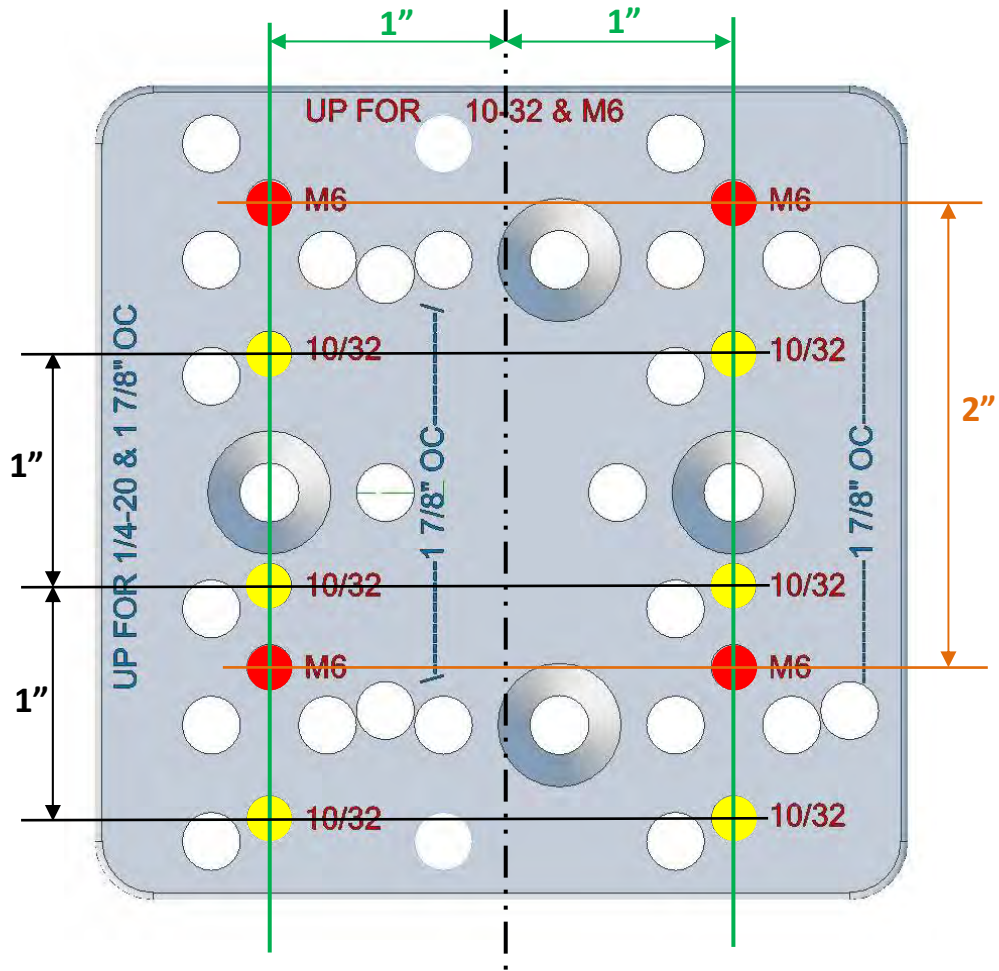
### Detail Drawing A:

This drawing shows the locations of all  $\frac{1}{4}$ "-20 threaded holes. Note the plate has the words "UP FOR  $\frac{1}{4}$ -20 &  $\frac{7}{8}$ " OC" at the top. All  $\frac{1}{4}$ -20 threaded holes are marked in blue. Plate is  $\frac{5}{16}$ " thick.



### Detail Drawing B:

This drawing shows the locations of all 10-32 and M6 threaded holes. Note the plate has the words "UP FOR 10-32 & M6" at the top. All 10-32 threaded holes are marked in yellow, all M6 threaded holes are marked in red. Plate is 5/16" thick.



08890