

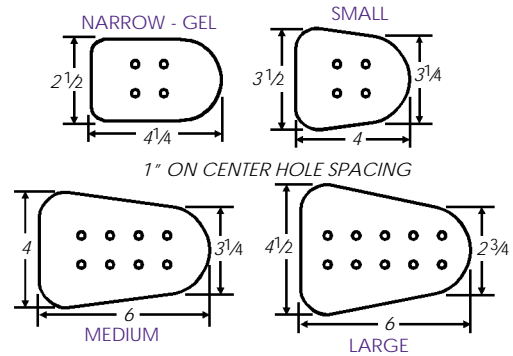
Abductors

FLIPDOWN ABDUCTOR HARDWARE & PADS W/COVER

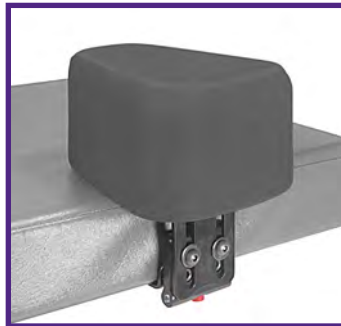
Features:

- Brackets adjust to cushion thickness, and abductor pad swings out of the way
- Low profile heavy duty flip-down hinge has push button release
- Hinge is black anodized aluminum and stainless steel
- Brackets are stainless steel, coated black
- Narrow pad is molded durable silicone gel, removable neoprene cover included
- Other 3 pads are black textured self-skinning polyurethane foam, removable neoprene covers available
- Features Heavy Duty Stainless Steel 4" Mounting Bracket

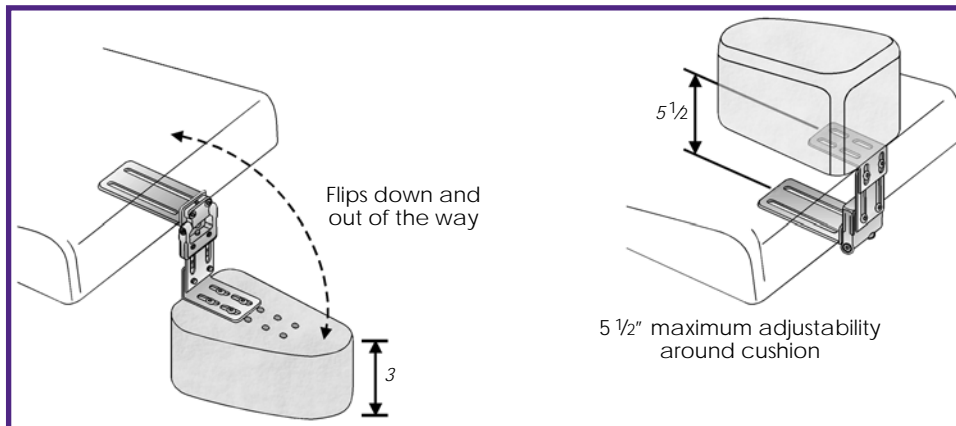
Description	Part Number
Flipdown Abductor Hardware Kit	
Hardware Kit Only (No Pad)	50180
Abductor Pads w/Removable Neoprene Cover	
Narrow Gel Pad w/Cover	50288
Small Pad w/Cover	50285
Medium Pad w/Cover	50286
Large Pad w/Cover	50287
Flipdown Hardware Kits w/Pad Only (no cover)	
Flipdown Kit w/Narrow Gel Pad	31495P
Flipdown Kit w/Small Pad	31495S
Flipdown Kit w/Medium Pad	31495M
Flipdown Kit w/Large Pad	31495L
Abductor Kit Accessories	
Small Neoprene Pad Cover	32409
Medium Neoprene Pad Cover	32410
Large Neoprene Pad Cover	32411
Small Pad	31429
Medium Pad	31430
Large Pad	31431
Custom Abductor Pad	
Made to your specifications	Quote



ALL ABDUCTOR PADS ARE LATEX-FREE



WE USE SynerGel™
Dynamic Floatation Polymer



CUSTOM SEATING

BODY POSITIONING

WHEELCHAIR TRAYS

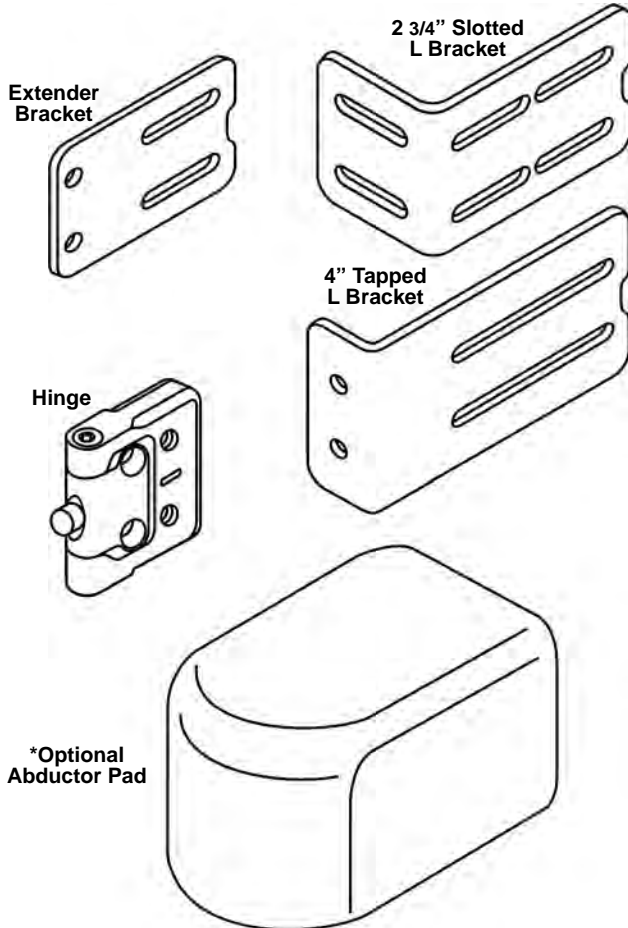
ASSISTIVE TECHNOLOGY

PATIENT TRANSFER

Abductor Flipdown Kit And Abductor Pad*

*Abductor Pad is optional

PARTS DESCRIPTION

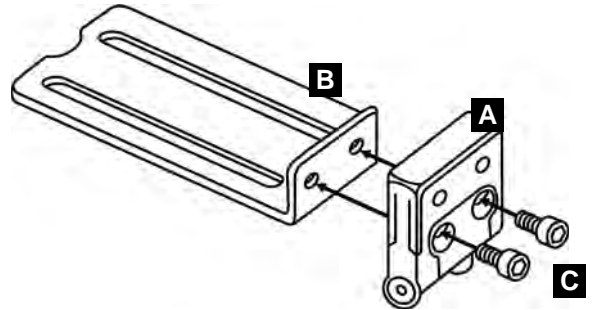


COMPONENT ASSEMBLY

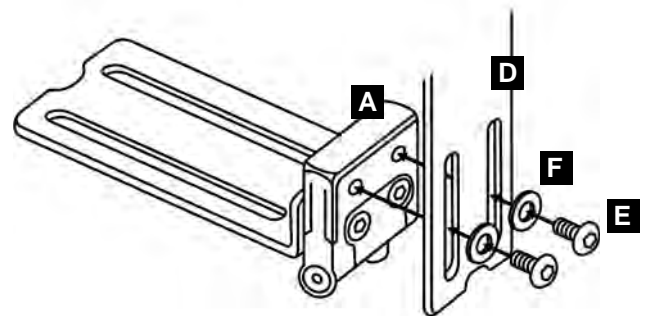
This information is general, as the flexibility of this kit allows you to configure components in many different ways. The brackets can be used in any number of different positions, and the slots in the brackets allow for extra adjustment. Use these example illustrations to determine the best way to set up the kit based on the user's particular needs and equipment.

FLIPDOWN ASSEMBLY

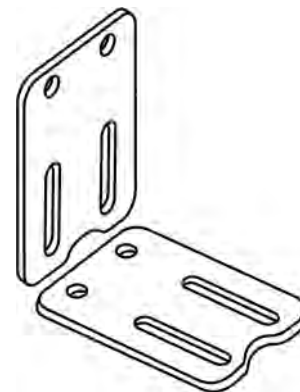
1. Attach Hinge(A) to Seat Bracket(B) with two Socket Head Cap Screws(C).



2. Attach Hinge Bracket(D) to Hinge(A) with two Button Head Cap Screws(E) and two Flat Washers(F).



Use Extender Bracket for extra adjustment in any direction.



PAGE 1 OF 2 - 08717

USING FLIPDOWN

The Red Push Button allows the Abductor Pad to flip down and out of the way when getting into or out of the wheelchair.

