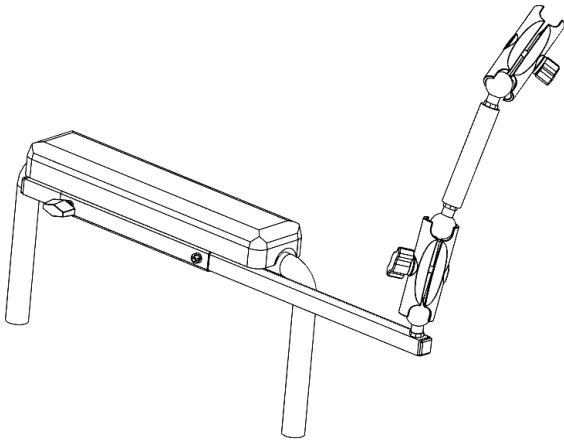


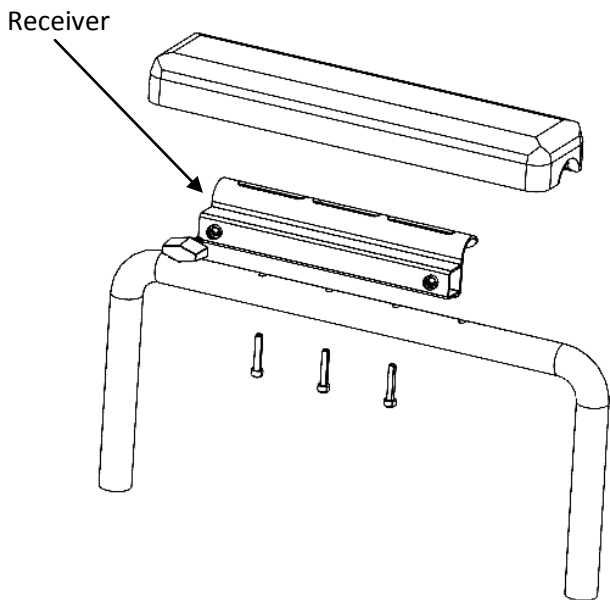
## Communication Armrest Mount

### To Install:

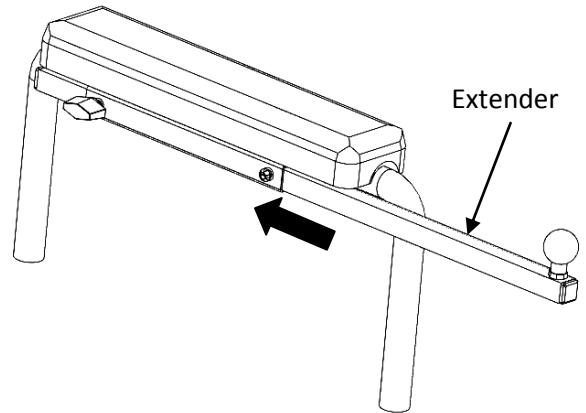
Image below shows installed device.



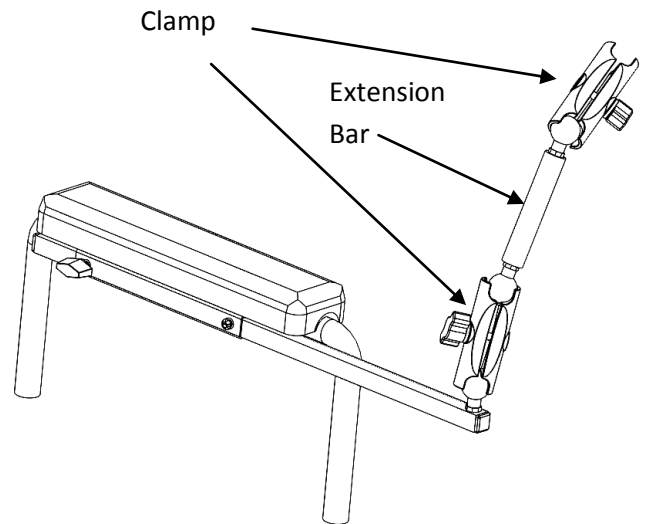
**Step 1:** Assemble Receiver onto armrest by removing armrest pad and placing the Receiver between the pad and armrest tubing. Align the slots in the receiver to the holes in the armrest tube and reattach the armrest pad. Tighten bolts securely.



**Step 2:** Slide Extender into Receiver and tighten knob.



**Step 3:** Attach Clamps and Extension Bar as shown below. Tighten Knobs on clamps once desired position is obtained.

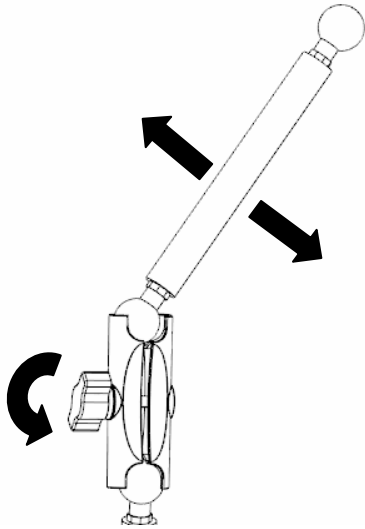


9450 W Laraway Rd • Frankfort, IL 60423  
Customer 800-843-7234 • Fax 888-479-1515  
www.Therafin.com • info@Therafin.com

## Communication Armrest Mount

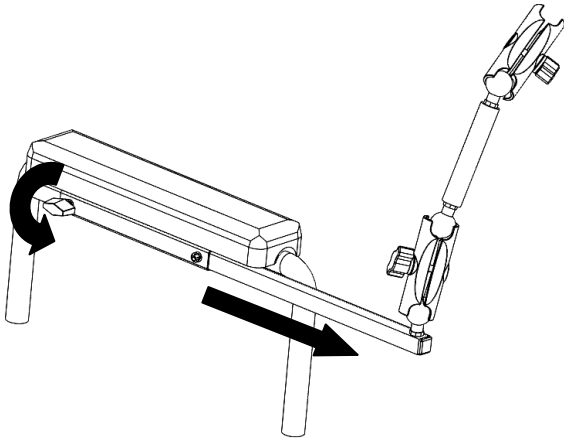
### To Adjust:

Loosen Knob and repositioning Clamp and Extension Bar. Retighten Knob on Clamp.



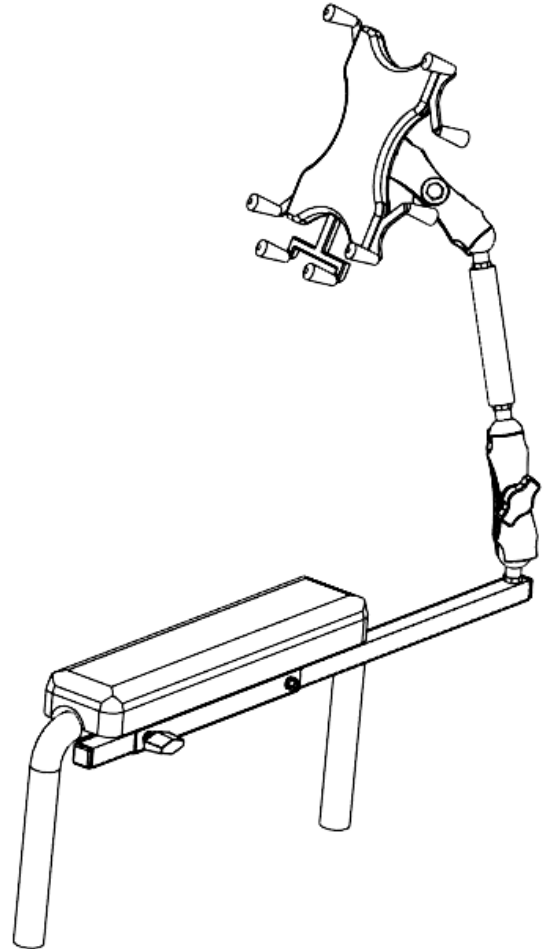
### To Operate:

Loosen Knob on Receiver and slide out.



### Attach Device Mount to Upper Ball

(Device mount 32358 shown, your device mount may vary)



9450 W Laraway Rd • Frankfort, IL 60423  
Customer 800-843-7234 • Fax 888-479-1515  
www.Therafin.com • info@Therafin.com